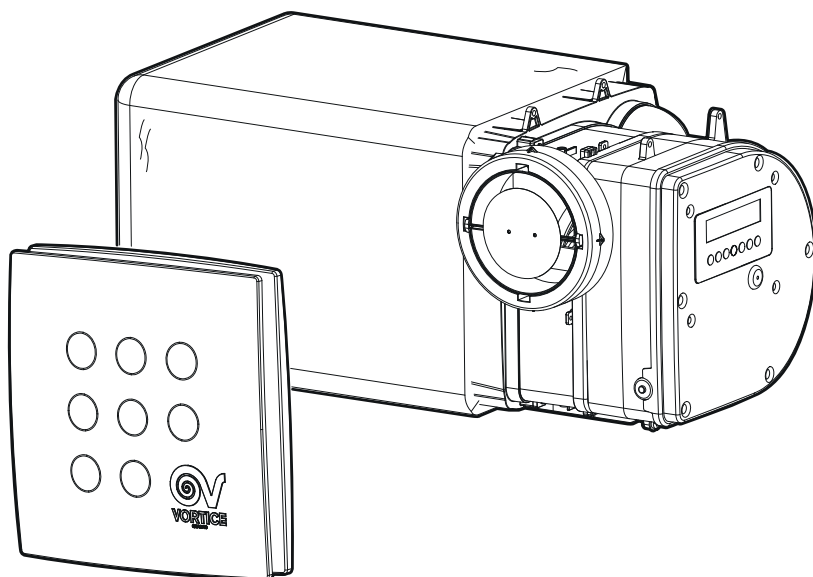




VORT PIV QUADRO

VORT PIV QUADRO RF

UK
CA C E



Read the instructions contained in this booklet carefully before using the appliance. VORTICE cannot assume any responsibility for damage to property or personal injury resulting from failure to abide by the instructions given in this booklet. Following these instructions will ensure a long service life and overall electrical and mechanical reliability. Keep this instruction booklet in a safe place.

Index

EN

General informations	3
Product description	4
Ventilation unit and equipment	4
Compliance	5
Safety/Warnings	5
General warnings for the installer	6
Installation	7
Wiring	14
Accessories	17
Operation	18
Commissioning	19
Use	20
Maintenance	31
Troubleshooting	32
Disposal	34

Avant d'utiliser le produit, lire attentivement les instructions contenues dans cette notice. La société Vortice ne pourra être tenue pour responsable des dommages éventuels causés aux personnes ou aux choses par suite du nonrespect desinstructions ci-dessous.

Le respect de toutes les indications reportées dans ce livret garantira une longue durée de vie ainsi que la fiabilité électrique et mécanique de l'appareil.

Conserver toujours ce livret d'instructions.

Index

FR

Informations générales	35
Description du produit	36
Structure et matériel fourni	36
Conformité d'utilisation	37
Sécurité/avertissements	37
Avertissements généraux pour l'installateur	38
Installation	39
Câblage	46
Accessoires	49
Fonctionnement	50
Première activation	51
Utilisation	52
Maintenance	63
Résolution des problèmes	64
Élimination	66

General Informations

Description of the symbols

Obligation



Generic obligation



Reading the instructions is mandatory



Turn off the power is mandatory



Contact a professionally qualified electrician

Prohibition



Generic prohibition

Danger



Generic danger

Purpose of the manual

This manual contains information on the use and maintenance of the appliance and provides useful information for the correct use of the appliance.



Before installing and using the appliance, read the warnings in this manual carefully

VORTICE cannot assume any responsibility for damage to property or personal injury resulting from failure to abide by the instructions given in this booklet.

Following these instructions will ensure a long service life and overall electrical and mechanical reliability. Keep this instruction booklet in a safe place. Do not make modifications to this manual.

Product description

VORT PIV QUADRO is a positive input ventilation unit (PIV) that improves the quality of the air inside a home and helps to resolve problems caused by condensation and mould. It can also be used to control Radon Gas up to certain levels. The system draws in air from the loft space and supplies filtered air into the building through a ceiling diffuser.

The unit hose is 160 mm diameter, but the product is compatible for PIV units with a 200 mm diameter of the diffuser hole.

By means of the built-in display it is possible to select one from the 7 available speed settings. For each setting a value is set for the normal speed (default) and for the corresponding boost speed.

Normal and boost speeds can also be modified, within a certain range, to meet the needs of each home.

It is also possible to combine the unit to an electric heater (500 W) which tempers the inlet air when the loft temperature drops below a pre-set value.

In addition to the basic model VORT PIV QUADRO, it is also available the VORT PIV QUADRO RF, comes with a wireless switch for the selection of normal or boost speed.

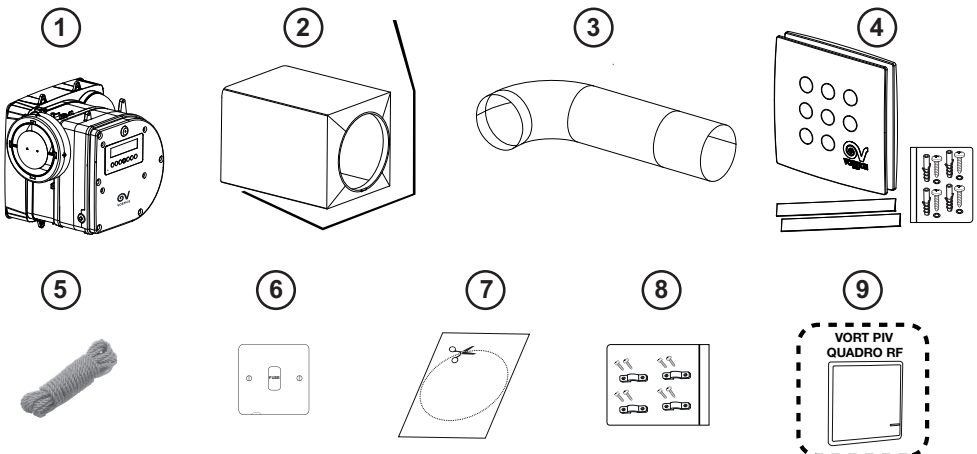
Additional features

- QUIET silent function that prevents the unit from activating the boost mode, in a specified time interval (at night).
- RADON function that allows for continuous operation, with the aim of mitigating traces of radon.
- Recording of the unit operating time from the first installation (Data Logger).
- Additional connection options to external sensors (for example C-TEMP, C-SMOKE, C-HCS sensors in the VORTICE catalogue) which allow the switch from normal to boost speed when the set threshold values are exceeded.
- Ability to link to a smoke detector that disconnects the power to the unit in the event of fire (refer to the wiring diagrams within this manual).
- For the standard version without radio frequency remote control: Hard wired switches (not supplied) can be used to select normal or boost speed, and switch optional heater on / off.

See the 'operation' section for a more detailed description of the functions offered by the unit.

Ventilation unit and equipment

1. Ventilation unit.
2. G4 (Iso Coarse 65%) bag filter + self-adhesive tear tape.
3. 3 m PVC flexible hose (Ø 160 mm).
4. Diffuser for ceiling installation + 2x blanking plates, 4x screws with washers, 4x wall plugs.
5. Cord for suspended installation.
6. 3A fused spur.
7. Paper template.
8. 4 x cable clips.
9. RF switch (only for VORT PIV QUADRO RF model).



Compliance

- This appliance can be used by children aged from 8 years and above and persons with reduced physical, sensory or mental capabilities or lack of experience and knowledge if they have been given supervision or instruction concerning use of the appliance in a safe way and understand the hazards involved. Children shall not play with the appliance. Cleaning and user maintenance shall not be made by children without supervision.
- These appliances are designed for use in residential and commercial properties.
- The appliance must be installed by a professionally qualified electrician.
- The electrical system to which the product is connected must be in compliance with applicable regulations.
- An omnipolar switch with a contact opening distance of 3 mm or higher should be provided for installation, enabling complete disconnection under overvoltage category III conditions.
- Products equipped with single-phase wiring (M) motors ALWAYS require connection to 220-240V (or only 230V where required) single-phase lines. Any kind of modification shall be considered as product tampering and shall nullify the relative warranty.
- Precautions must be taken to prevent gas coming from the gas flue pipe or from other fuel combustion units from entering into the room.
- In the event of a power failure, when the mains is restored the appliance will restart at the normal mode speed ('Normal') corresponding to the speed setting previously selected.

Safety/Warnings



- After removing the appliance from its packaging, ensure that it is complete and undamaged. If in doubt contact an authorised VORTICE service centre. Do not leave packaging within the reach of children or persons with reduced physical, sensory or mental capabilities.
- If you decide to disconnect the appliance from the power supply and use it no more, store the appliance out of the reach of children and persons with reduced physical, sensory or mental capabilities
- If the appliance malfunctions and/or develops a fault, contact VORTICE immediately. Ensure that only genuine original VORTICE spares are used for any repairs.
- The electrical power supply/socket to which the appliance is to be connected must be able to provide the maximum electrical power required by the appliance. If it cannot do so, arrange for a qualified electrician to make the necessary modifications.
- Electrical connections must comply with “The Building Regulations” and the most current version of IET regulation BS7671 in the UK (or equivalent regulations in other countries).
- The electrical specifications correspond to the ones on the rating label.



- Do not use this appliance for functions other than those described in this booklet.
- Do not make modifications of any kind to this appliance.



- Fundamental rules must be observed when using any electrical appliance:
 - never touch appliances with wet or damp hands;
 - never touch appliances while barefoot;
 - do not allow the unit to be operated by unsupervised children or persons with reduced physical, sensory or mental capabilities.
- Should the appliance be dropped or suffer a heavy blow, have it checked immediately by VORTICE.
- If the power cord becomes damaged, it must be replaced by the manufacturer or its technical assistance service, or in any case by a person with similar qualifications, in order to prevent any risk.
- Caution - some parts of this product can become very hot and cause burns. Particular attention has to be given where children and vulnerable people are present.

General warnings for the installer

NOTE: the official document to refer to is: “The Building Regulations: Approved Document F: Volume 1 applies to dwellings”.



- Disconnect the power supply before carrying out any maintenance or intervention on the adjustable bulb thermostat on the heater.
- The ducting must be securely attached to the unit and to the diffuser flange.
- Before installation make sure that the loft is adequately ventilated. Ensure that the air vents (eg: ridge vents, tile vents or felt separators) are not blocked.
- There may be a need to provide additional ventilation to the loft if this is so sealed from the outside that it is not sufficiently ventilated.
- Make sure that any water tanks in the loft are covered and sealed.
- Make sure the attic hatch is tightly sealed.
- Checks are needed to ensure there are no leaks from the ceiling. For example, a poorly sealed loft hatch can cause moisture to transfer into the loft. Make sure that all holes in the ceiling are sealed, eg. the lamp fixings.
- The installer must check that there are no leaks from the flues or gas pipes in the loft.
- Always take protective measures (mask, gloves, protective suit) when working with any type of insulation present in the loft area.
- Partition walls between buildings must be complete with any breaks filled. Check that all partition walls are intact.
- The diffuser should not be installed within 1m of a smoke detector. If it is necessary to install the diffuser at a distance less than 1 m from the fire detector it is possible to apply to the diffuser one or two plastic blanking plates which block the passage of the air in one or two directions. In this configuration, the sides without the plastic blanking plates must have a distance of at least 1.5 m from any smoke detector (fig. 4).
- In homes with a height of the living floor greater than 4.5 m or with 3 or more floors, the unit must be wired into a smoke detector in order to disconnect the unit from the mains upon the detection of smoke.
- In homes with a height of the living area greater than 4.5 m, the diffuser must always be installed at a minimum distance of 1 meter from the smoke detector. In this case, do not use the blanking plates provided.
- When wiring the unit, the fused spur must be an integral component of the wiring.
- The flexible hose, once installed, must maintain a length of at least one meter.
- The unit must not interfere with the operation of flue appliances. Consult local regulations or a qualified gas technician.
- DO NOT install this product in areas where there may be:
 - Too much oil or greasy atmosphere.
 - Corrosive or flammable gases, liquids or vapors.
 - Any obstructions that would hinder access or removal of the unit.
 - Relative humidity above 90%.
- The hose must not be compressed as it may affect the performance of the unit.
- In RF models it is not advisable to install the radio frequency switch on a metal surface since metal will shield wireless signal.
- The appliance is equipped with a battery which maintains the current time in the event of a power failure. Only in the event of a prolonged interruption (therefore with the battery flat) it is necessary to reset the time (see 'SET TIME' under 'Configuration Menu'). In any case, the appliance maintains the previously set configurations (for example: speed settings).

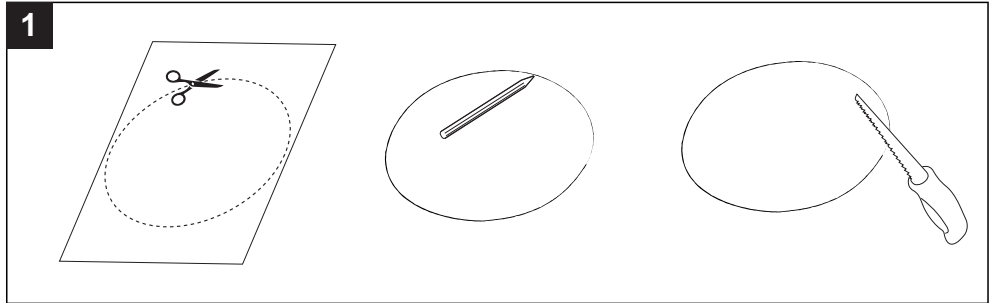


Installation

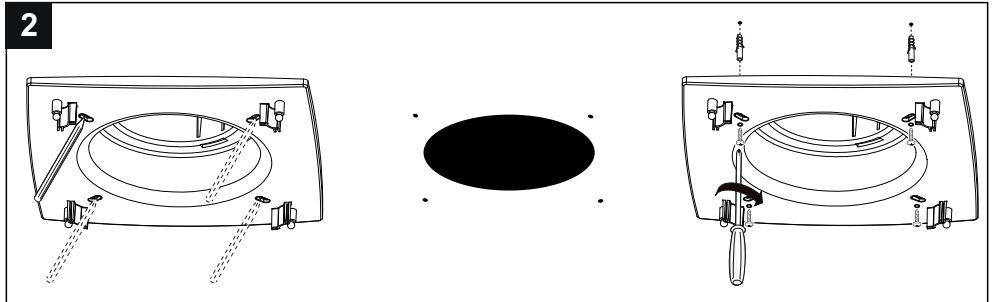
• Ceiling diffuser fixing

Cut a 200 mm diameter hole in the ceiling in the chosen installation position. Use the template provided if necessary.

1) Mark a circle on the ceiling and cut out the hole using the most suitable tool for each type of ceiling.



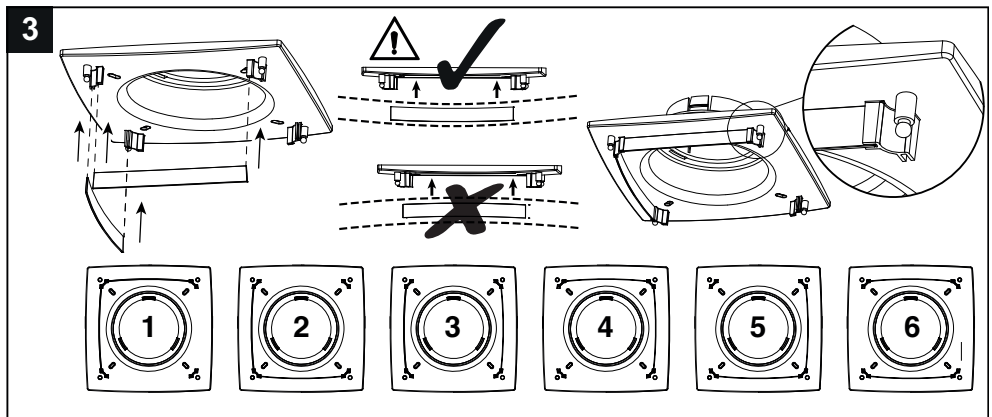
2) Mark the holes on the ceiling with a pencil and fix the diffuser group by means of the wall plugs, screws and washers supplied.



3) It is possible to apply one or two blanking plates to the diffuser in order to divert the passage of air in one or two directions to guide airflow away from the smoke detector. According to the installation needs, six different configurations are available.

The application of the blanking plates allows to have less than 1 m distance between the side of the diffuser where the blanking plates are installed and a smoke detector. On the sides without the blanking plates the distance between the smoke detector and the diffuser must be equal to or greater than 1.5 m.

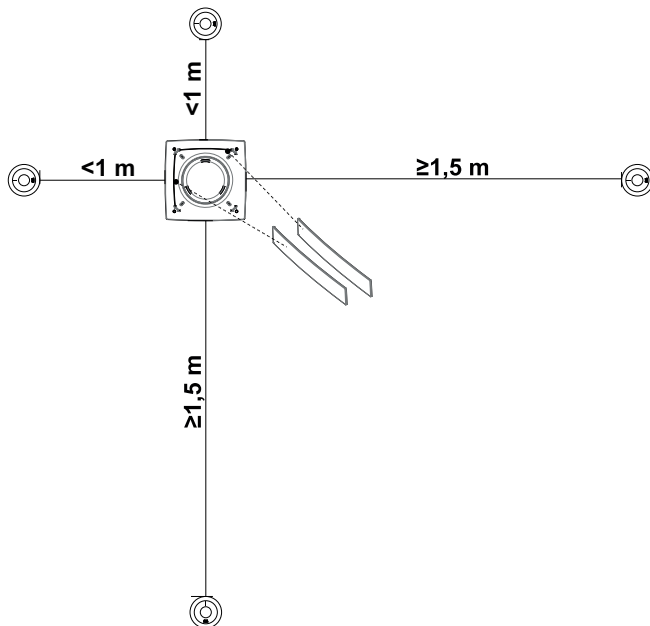
Note: No more than 2 blanking plates to be used on a diffuser.



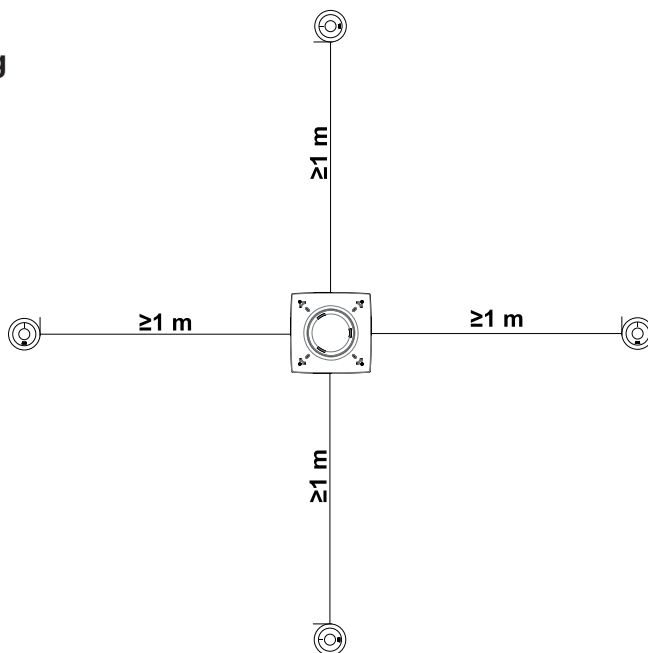
Example of installation of the diffuser (with and without blanking plates) with the relative distances from the fire detector.

4

**With
blanking
plates**



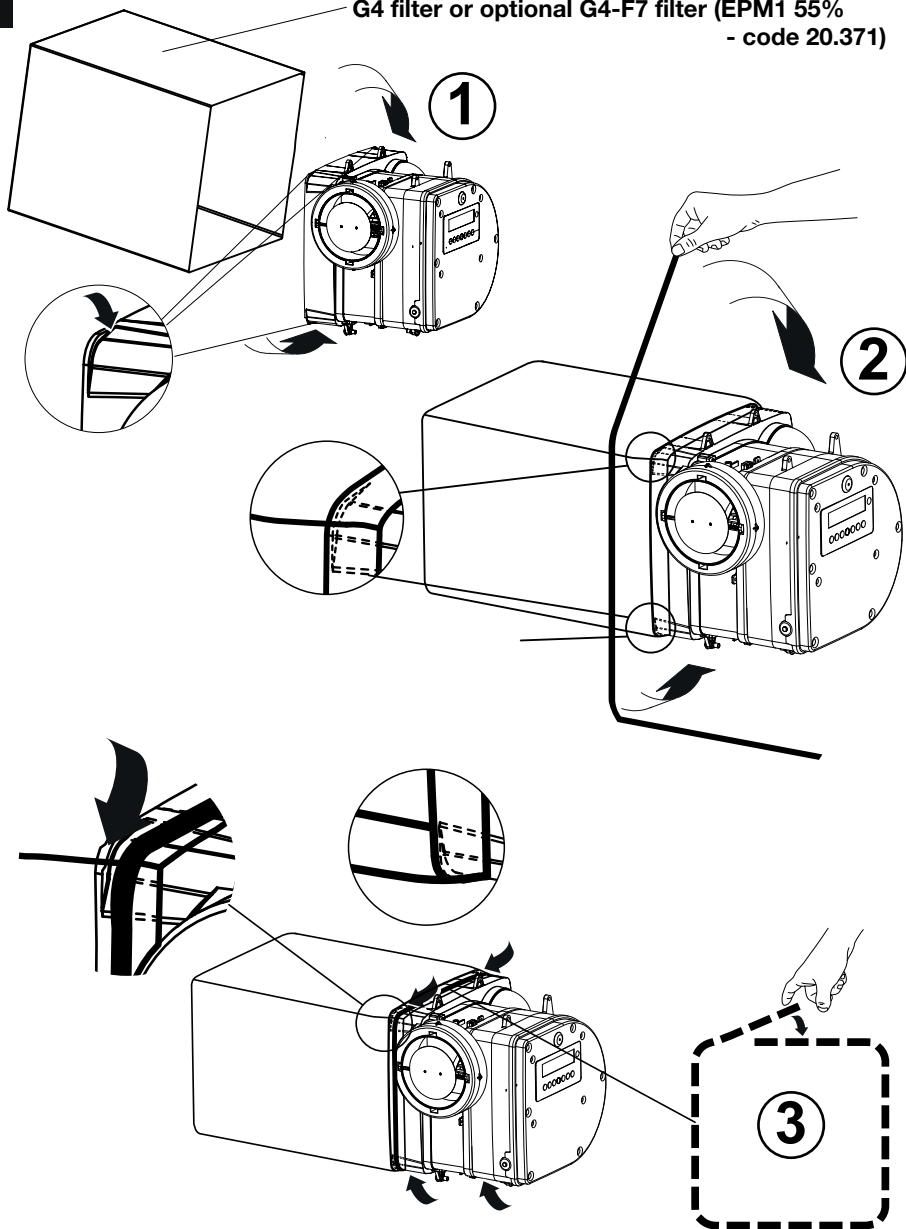
**Without
blanking
plates**



• Fixing of the filter onto the ventilation unit

5

G4 filter or optional G4-F7 filter (EPM1 55%
- code 20.371)

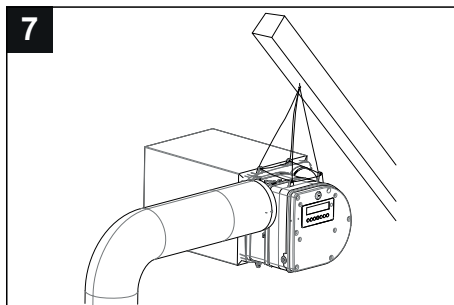
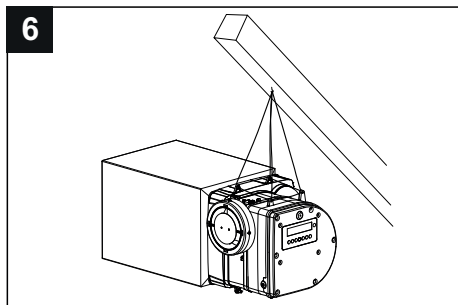


• Fixing of the ventilation unit

The installation can be carried out with the unit suspended (e.g. from a convenient roof beam) via the cord supplied, or fixed directly to a suitable surface or loft ceiling joists within the loft by means of the brackets available as optional accessories.

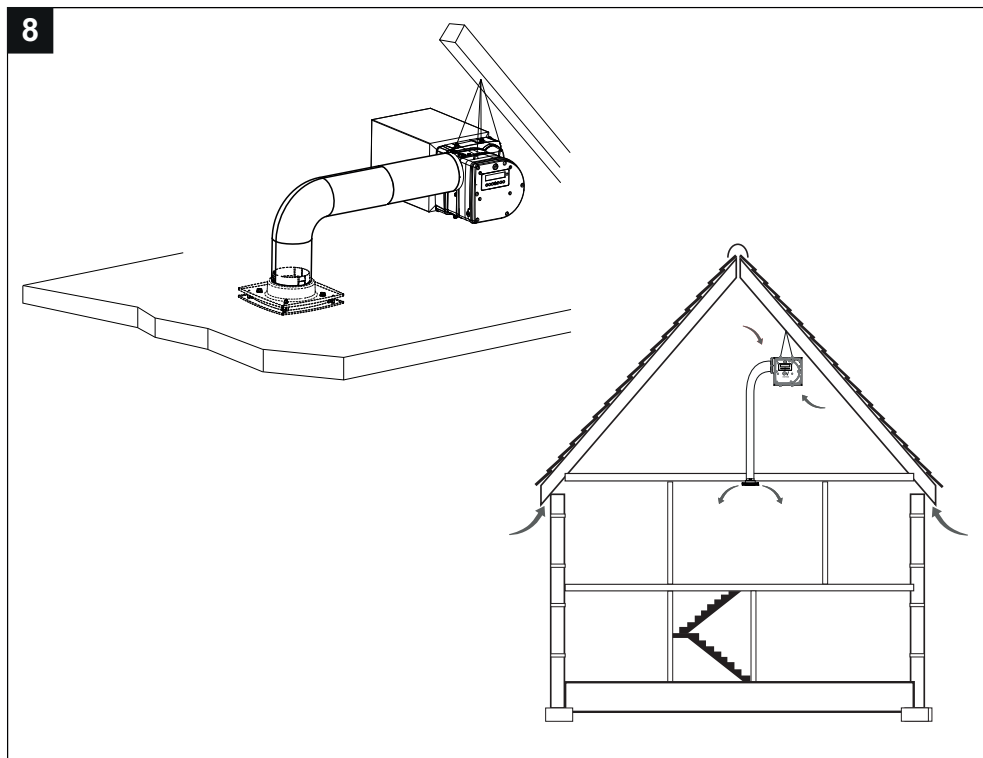
1) Suspended mode

- a) Use the cord provided to suspend the unit from a hook on a joist of the loft (fig. 6).
- b) Firmly secure the hose to the unit (fig. 7).



- c) Firmly secure the hose to the diffuser end (fig. 8).

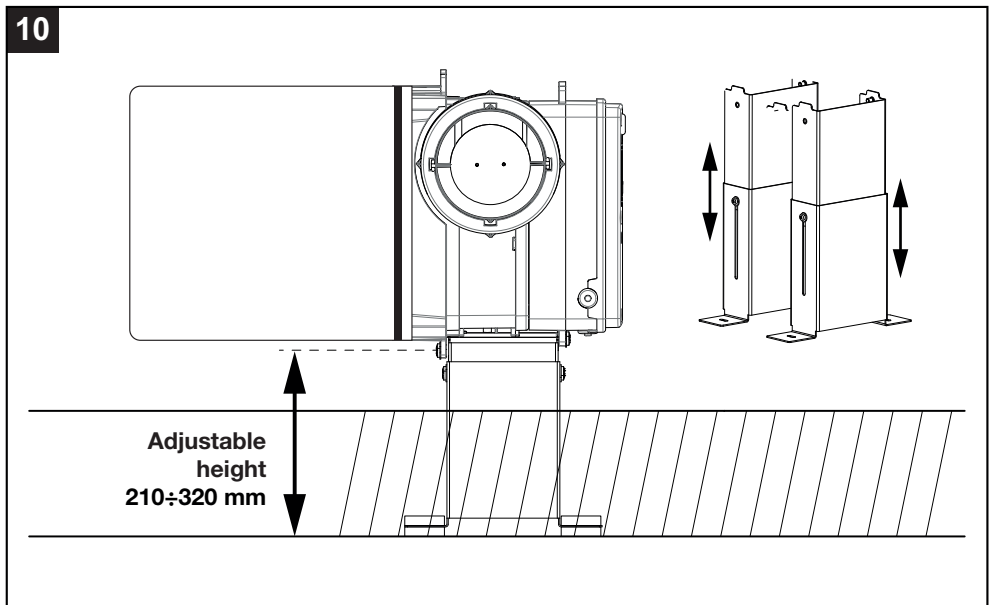
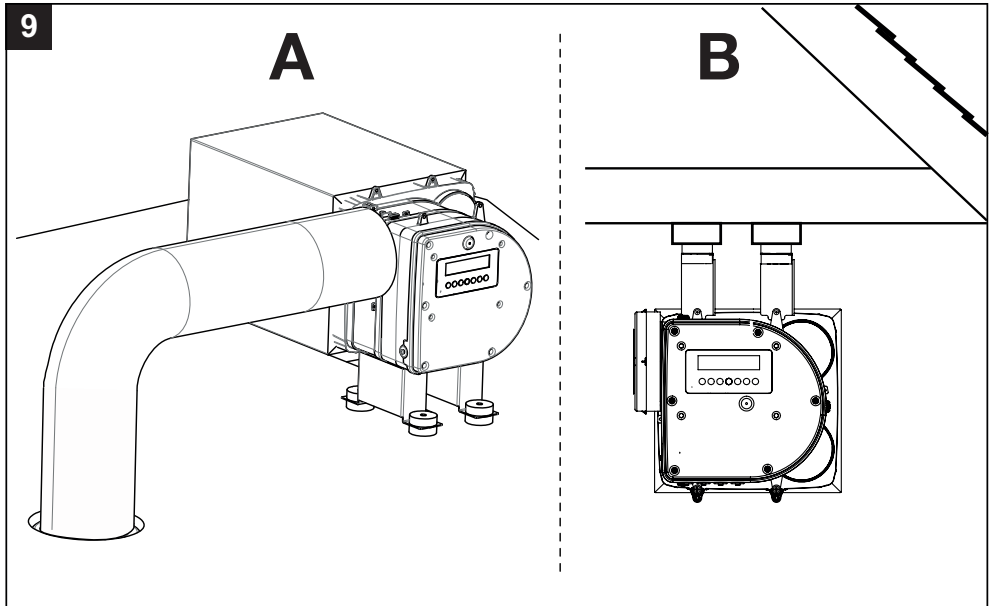
Note: Pipe connections can be sealed using two fixings (not supplied).



2) Fixing mode with brackets (optional accessories)

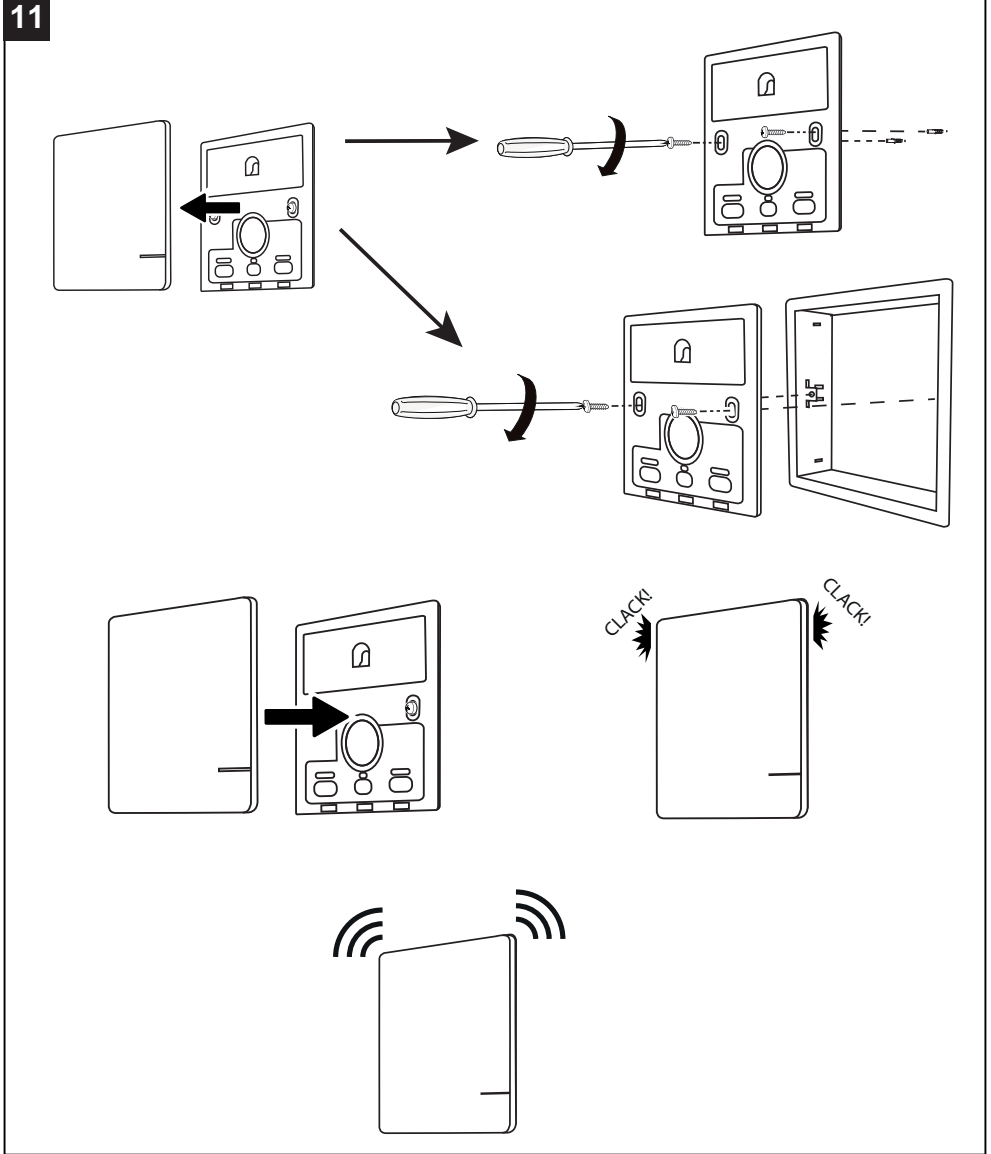
Two different optional accessories are available under request:

- 20.695 - BRACKETS KIT VORT PIV QUADRO: fixed height version, for installing the unit directly on the loft floor (fig. 9A) or to joists or special battens installed in the loft (fig. 9B).
- 20.460 - ADJUSTABLE BRACKETS KIT VORT PIV QUADRO: manually height adjustable version (fig. 10) which allows to install the unit above the loft insulation.



• RF switch installation

The wireless switch can be mounted on a wall or fixed to a standard recessed wall box by using two screws (not supplied) (fig. 11).

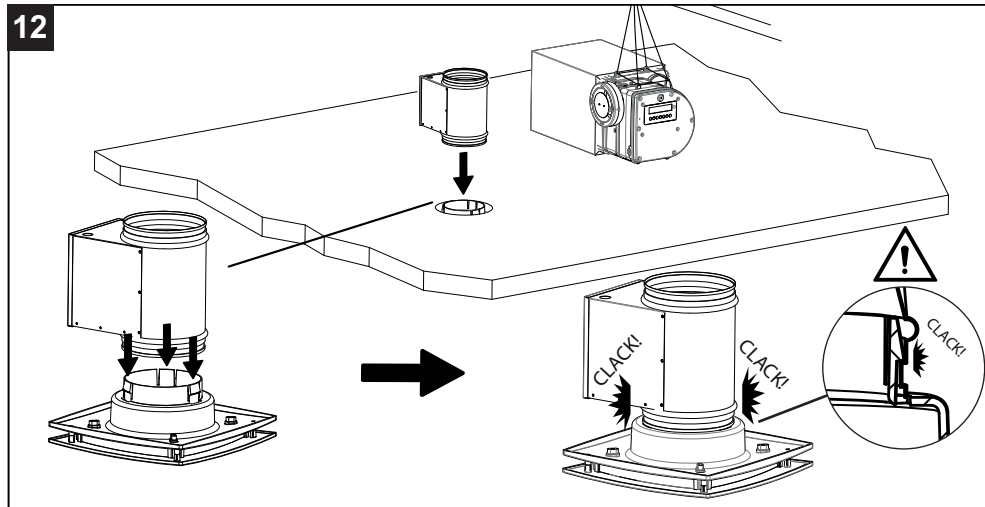


Note: The wireless switch and the receiver on the unit have already been paired at the factory.

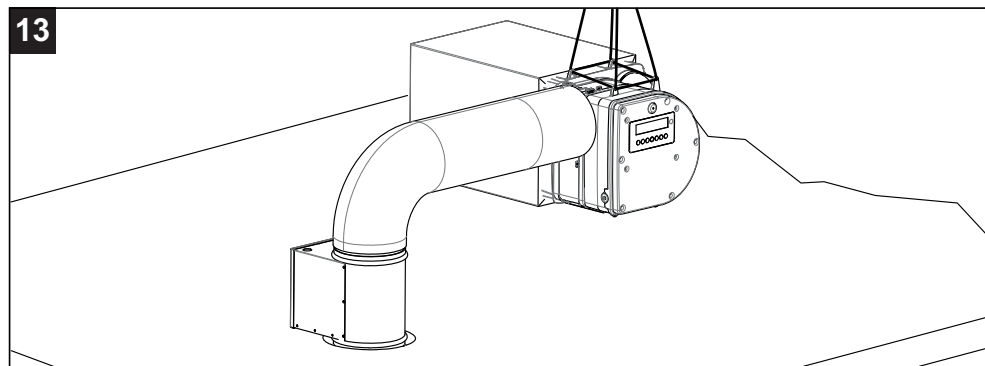
ENGLISH

• Installation of the 500 W electric heater (optional accessory - VORTICE code 20.359)

a) Fix the electric heater to the diffuser end (fig. 12).

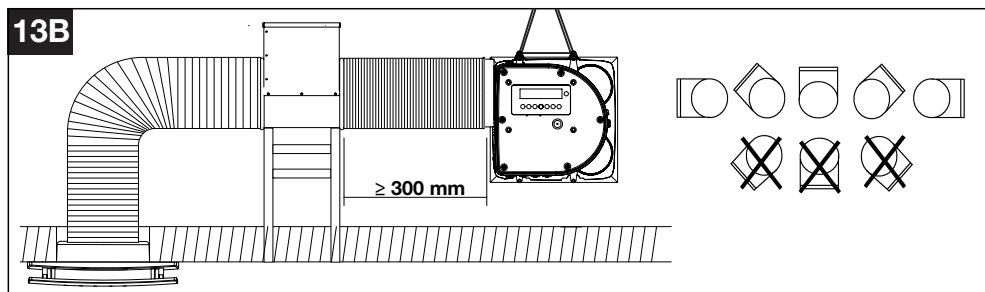


b) Fix the flexible hose to the unit and the electric heater. Hose connections can be sealed using proper fixings (not supplied) (fig. 13).



Note 1: The configuration illustrated in figures 12-13 is the optimal one since it is the most thermal efficient solution (a thermal insulated pipe is not needed).

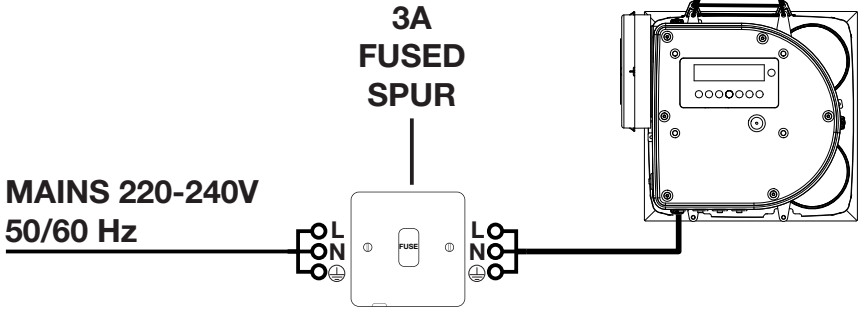
Note 2: For the installation with the electric heater in between the diffuser and the ventilation unit, please refer to fig. 13B. Never mount the electric heater with the electric box facing downwards.



Wiring

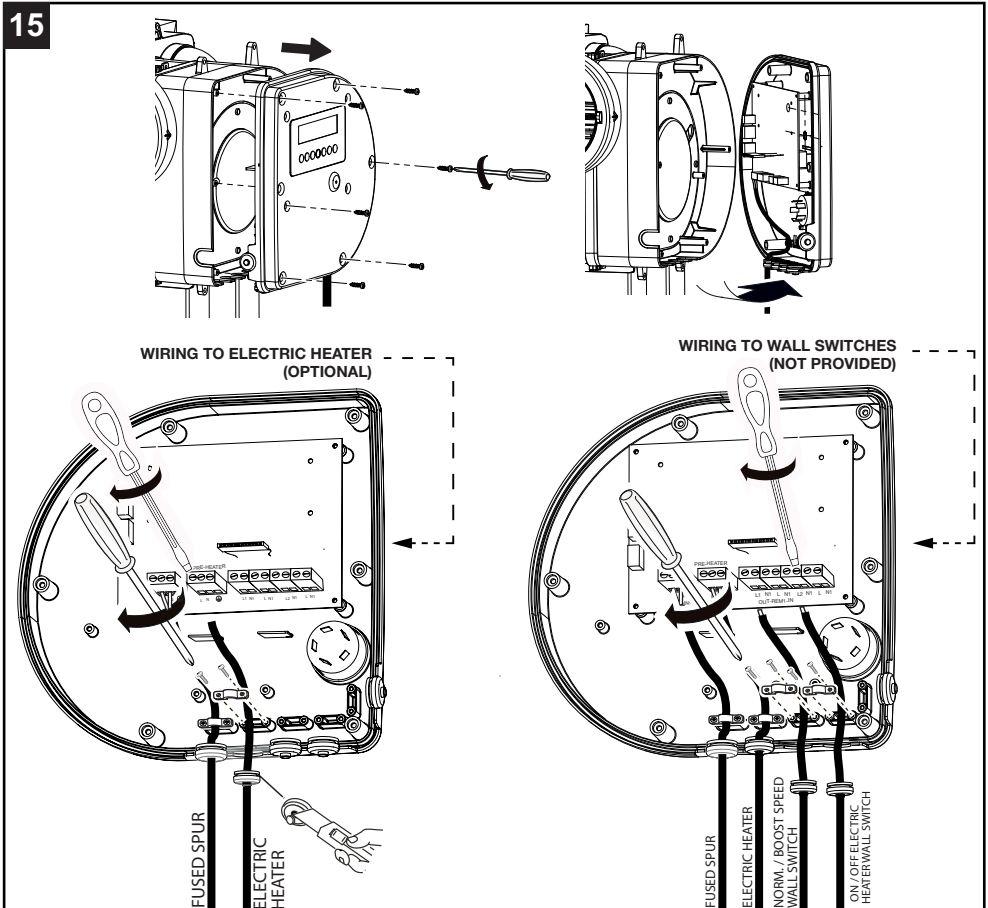
When wiring, the fused spur must always be an integrated component in the system (fig. 14).

14



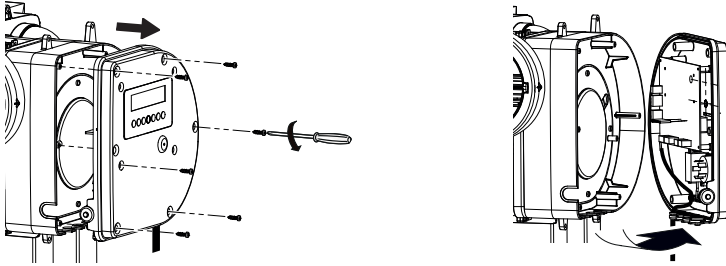
• **VORT PIV QUADRO** (refer to wiring diagram in fig. 18)

15

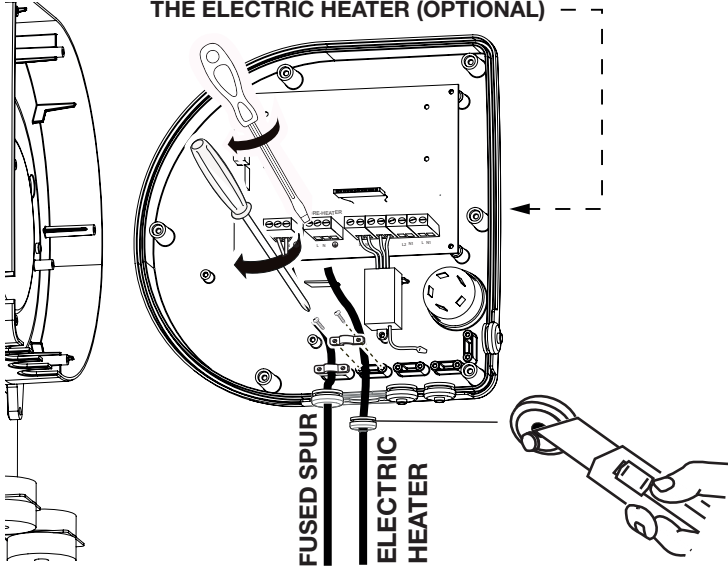


• VORT PIV QUADRO RF (refer to wiring diagrams in fig. 19)

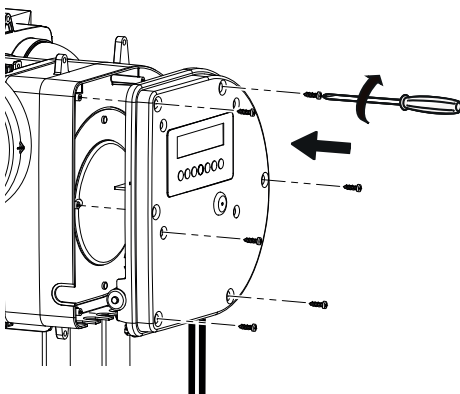
16



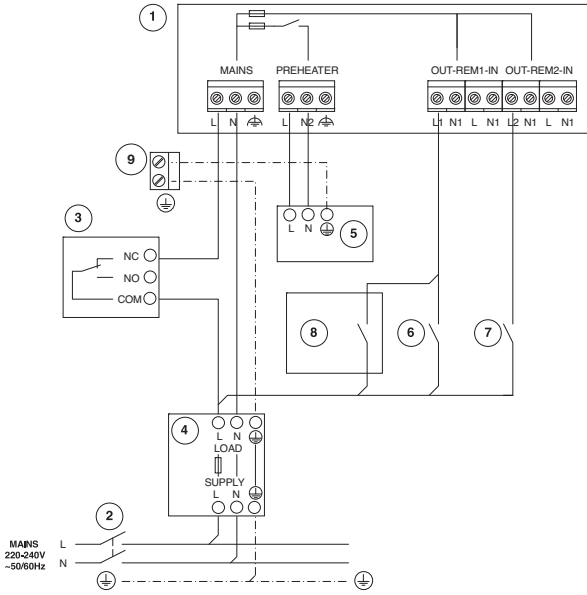
WIRING TO THE ELECTRIC HEATER (OPTIONAL)



17



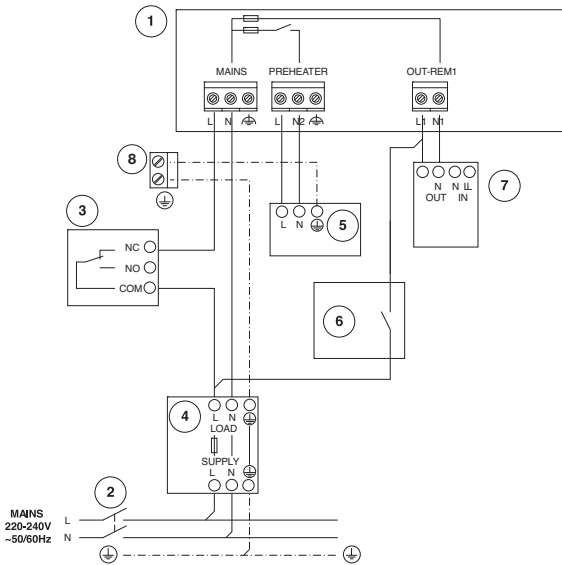
18



- 1 PIV unit
- 2 Main bipolar switch
- 3 SMOKE / CO detector with NO/NC contact (for reference only)
- 4 Fused spur
- 5 Preheater
- 6 Boost Remote Switch
- 7 Preheater Remote Switch
- 8 External sensors C Temp, C Smoke, C HCS (for reference only)
- 9 PE protection earth terminal

⚠ The fused spur (4) must always be used.

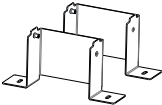
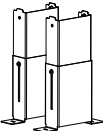
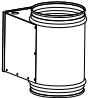
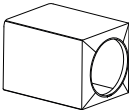
19



- 1 PIV unit
- 2 Main bipolar switch
- 3 SMOKE / CO detector with NO/NC contact (for reference only)
- 4 Fused spur
- 5 Preheater
- 6 External sensors C Temp, C Smoke, C HCS (for reference only)
- 7 RF internal module
- 8 PE protection earth terminal

⚠ The fused spur (4) must always be used.

Accessories

Code	Picture	Accessory name and description	Notes
20.695		<p>“BRACKETS KIT VORT PIV QUADRO”: fixed height version.</p>	<p>Refer to fig. 9 and to specific installation leaflet supplied with the accessory.</p>
20.460		<p>“ADJUSTABLE BRACKET KIT VORT PIV QUADRO”: manually height adjustable version.</p>	<p>Refer to fig. 10 and to specific installation leaflet supplied with the accessory.</p>
20.359		<p>“ELECTRIC HEATER 500 PIV”: 500W Electric Heater.</p>	<p>Refer to “Electric heater” section under “Operation” menu and specific user manual supplied with with the accessory.</p>
20.371		<p>FTR EPM1 55% G4-F7 PIV QUADRO</p>	<p>Refer to fig. 5 for filter installation.</p>

Operation

• VORT PIV QUADRO

Automatic functioning

VORT PIV QUADRO is designed for continuous operation and it allows the installer to set one of the seven available speed settings. Each setting includes two values: one referred to normal speed and one referred to boost speed. Once powered up, the appliance works at normal speed. The boost speed can be selected via the display or by means of a wall switch, if any (refer to “Use” section).

A temperature sensor in the appliance detects the air temperature in the loft (intake air temperature). This detected temperature determines the operating strategy of the appliance, which is based on three configurable variables:

- **Thresh. temp:** inlet temperature threshold (default value: 21°C, modifiable by the installer). When the intake air temperature is higher than this threshold, the normal speed increases by 10% (boost speed not modified).
- **Summer temp:** Input summer temperature threshold (default value: 26°C, editable by the installer). When this threshold is exceeded, the unit will switch itself automatically to “Standby Mode” (unless it’s in Radon mode). «FAN STOPPED» signal appears on the display.
- **Winter temp:** Input winter temperature threshold (default value 10°C, modifiable by the installer). When an electric heater (optional accessory) is installed (AUTO mode), “Winter temp” threshold value drives the turning on and off of the electric heater.

Notice that also when the electric heater is not installed (or installed but in OFF mode) the unit will never turn off when the intake air temperature drops below the winter temp in order to guarantee continuous air circulation.

Configurable Variable	Factory threshold value	Editable by installer	Variable range
THRESH TEMP **	21°C	YES	19°C÷24°C
SUMMER TEMP **	26°C	YES	24°C÷28°C
WINTER TEMP	10°C	YES	5°C÷15°C

** in case the installer has set a temperature value of 24°C both for «Thresh temp» and «Summer Temp» variables, the unit will switch to Standby mode when intake air temperature has exceeded '24°C'.

Other functions

- **QUIET:** Although the product is very quiet, the user can set an hourly interval within which the unit’s operation in boost mode is disabled in order not to disturb the occupants. The user selects a time interval (from xx: xx to yy: yy) within which the unit is inhibited from operating at the Boost speed, both for manual and automatic selection (i.e. C-TEMP sensor intervention).
- **RADON:** If this mode is activated, the unit will never switch to “Standby Mode”, with the aim of mitigating traces of radon.
- Recording of the unit operating time from first installation (Data-logger).
- One or two wall switches can be wired (refer to fig. 18 / not for RF models): one to select normal or boost speed and one to switch the 500 W heater to AUTO or OFF mode if connected.

Wiring with smoke detectors



Smoke detectors already installed in the home can be indirectly connected to the appliance (refer to the wiring diagrams in figs. 18-19). Following the electrical schematics for connections, in the event of a fire, the unit will turn off automatically.

Note: In dwellings with a floor height of more than 4.5 m or with 3 or more floors, the unit must be wired to a smoke detector to allow the unit to be disconnected in the event of fire (refer to the diagrams of figs. 18-19).

• VORT PIV QUADRO RF


In addition to all the functions of the basic version this model is supplied with a radio frequency switch to select the two available speeds (Normal / Boost) of the unit.



• Electric heater (500W) - Optional accessory (code 20.359)

Important note: The heater is not to be considered as a primary or secondary heating system of the house. When installed and switched to AUTO mode (see "Edit parameters" under "Use" section), in a "standard" winter, the heater should operate on average between 9% and 15% of the total unit operating time.

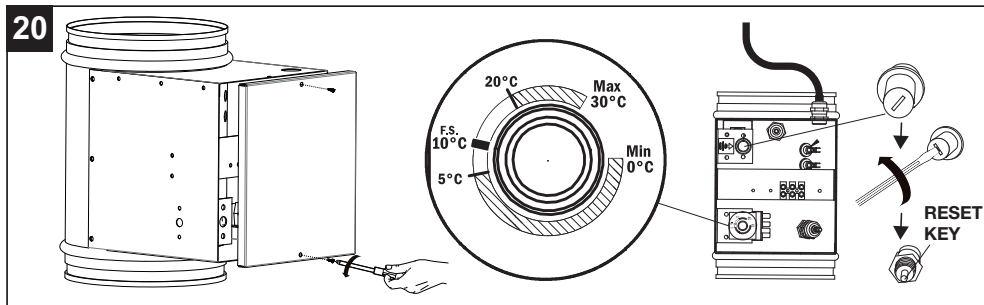
The on-board electronics does not regulate the air outlet temperature but only switches the heater on/off within the set parameters. The heater tempers the inlet air in the event that the loft air temperature is below the set value. An adjustable bulb thermostat stops the operation of the heater when the temperature has risen beyond the factory preset value ($\approx 10^{\circ}\text{C}$). The factory value can be modified in a range from 5°C to 20°C (the hatched area is not recommended). To access the temperature adjustment knob and modify the threshold preset temperature, remove the heater cover (fig. 20).

 **Disconnect the unit from the mains before opening the electric heater cover.**

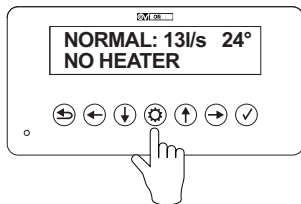
It is possible to turn the heater on (AUTO mode) or OFF from the display or from an optional switch (not supplied) when installed.

In case of overheating of the heater (for example in case of absence of air flow due to breakage or blockage of the motor fan) an additional manual reset safety thermostat intervenes to stop the heater operation after the detected temperature has risen beyond a preset value. Once a VORTICE Authorized Service Center has been contacted and the causes of this abnormal overheating have been resolved, the safety thermostat can be manually reset by pressing the key shown in fig. 20.

NOTE: Refer to the specific product manual for a more detailed description of all the functions that the heater offers.



Commissioning



First start-up (refer to "Set Speed" under the "Configuration menu" section)

When the unit is powered up, the display of the control panel is activated (after 30s of inactivity the display turns off saving the current settings).

The control panel is made up of a two line LCD display and 7 touch pad keys.

From the installer menu with the default access password "0000" it is possible to perform the initial setting which requires one of the 7 Normal + Boost speed sets to be selected, according to the following combinations preset in the factory (compliant with the provisions of the "Building Regulations):

Setting	Number of bedrooms (see note 1 /note 2)	Normal speed airflow [l/s] (note 3)	Boost speed airflow [l/s]	Normal speed airflow [m³/h]	Boost speed airflow [m³/h]	Absorbed power (W) (note 4)
1	one habitable room (Studio)	13	25	46.8	90	2.9
2	1	19	33	68.4	118,8	3.9
3	2	25	42	90	151.2	5.1
4	3	31	50	111.6	180	6.7
5	4	37	58	133.2	208.8	8.8
6	5	43	70	154.8	252	10.5
7	6	49	74	176.4	266.4	12.8

Note 1: If the dwelling only has one habitable room (a studio), a minimum ventilation rate of 13 l/s should be used.

Note 2: For each additional bedroom, 6 l/s are added to normal speed value. E.g. a 2 bedroom dwelling will be 25 l/s.

Note 3: Normal speed values can be modified in 1 l/s intervals. These values are only referred to G4 filter configuration. In case of the replacement of the G4 filter with the G4+F7 filter (code 20.371), due to pressure drops increases, the installer should fine-adjust the speed (see 'SPEED ADJUST' under "service menu") or choose a different speed setting in order to get the target airflow value.

Note 4: Absorbed power at normal speed with the G4 filter installed. Power values referred to the unit with a new clean just installed filter.

Use

The display allows the following actions: (see below for details)

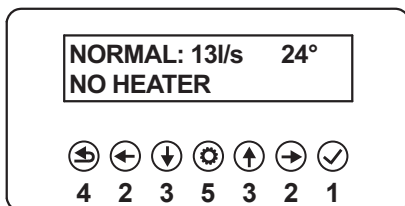
User functions

- Display and update of the current time.
- Display and update of the current fan speed (only the switch from normal to boost mode available).
- Turn on (automatic mode) or off (disable) the heater when installed.
- Display of the total operating time of the appliance from the first installation.
- Display of the total operating time of the heater since the first installation.
- Display of the remaining time before filter replacement and reset filter counter, after filter renewal.

Installer functions (with access by password)

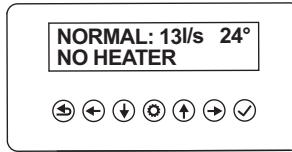
- The installer can select the required speed (dependent on the dwelling size) from 7 factory set speeds see table above.
- The installer can adjust the factory default value by -3l/s to +3l/s.
- Enable / disable of QUIET and RADON modes.
- Set the Thresh Temp, Summer temp, Winter temp values.
- Enable/disable the electric heater when installed.
- Enter and change the password to access the Installation and Parameter Configuration Menu.

Meaning of the keys on the keyboard



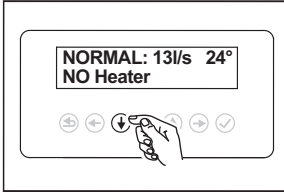
- 1 ENTER:** • enter in the "edit" mode
• save and exit "edit" mode
- 2 ARROW RIGHT / LEFT:** shift selection between the values of a parameter (in "edit parameters" user mode and inside the "service" menu in installer mode.)
- 3 ARROW UP/DOWN:**
It enables to scroll between list of values or list of parameters
- 4 ESC:** exit without saving.
- 5 SET:** setting menu.

Home screen: switching on the appliance



Display parameters

Home screen: ACTUAL SPEED, T°C, HEATER STATE



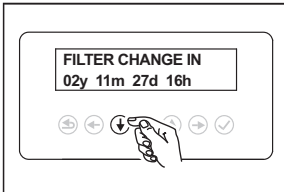
On this screen it is displayed:

On the first line:

- Speed selected (normal or boost) and corresponding airflow (l/s). Refer to "Set speed" under the "Configuration Menu" for setting the desired speed value.
- actual temperature in the loft.
- 'FAN STOPPED' signal when the unit will switch to "Standby Mode" (refer to "Automatic functioning" under "Operation" section to check the conditions when the unit will switch to "Standby Mode")

On the second line: the Heater State [NO Heater, Heater OFF, Heater AUTO (OFF), Heater AUTO (ON)]. See "Heater" section under "Edit parameters" menu.

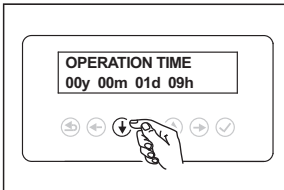
FILTER CHANGE IN



Press the down arrow once to display filter information.

This screen displays the remaining time before filter replacement, expressed in Years/Months/Days/Hours. Refer to the "Maintenance" section for the recommended filter replacement interval. The timer resets automatically when the filter is replaced.

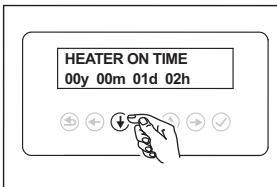
OPERATION TIME - Data Logger



Press the down arrow once to display 'operation time'.

This screen displays the total operating time of the appliance from the first installation, expressed in Years / Months / Days / Hours.

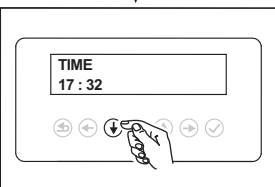
HEATER ON TIME



Press the down arrow once to display 'heater on time'.

This screen displays the total operating time of the heater since the first installation, expressed in Years/Months/Days /Hours.

TIME



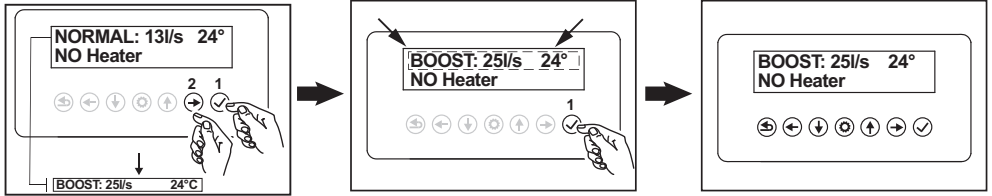
Press the down arrow once to display the current time.

Press the down arrow once will return you to the speed / heater screen. The up arrow can be used to cycle back through the screens.

ENGLISH

Edit parameters

SPEED SELECTION (NORMAL / BOOST)



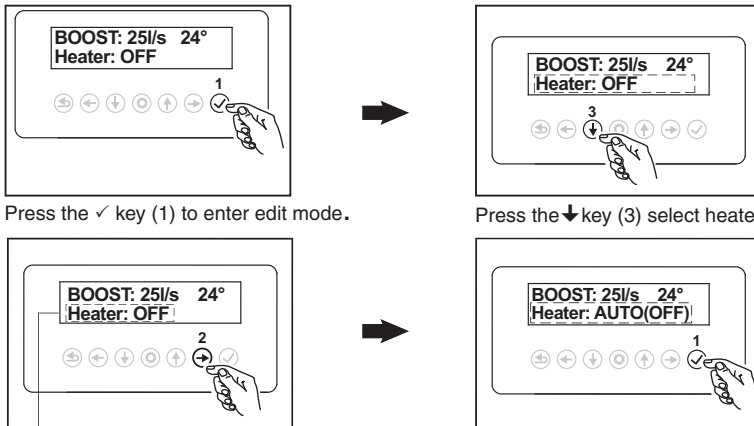
Enter the edit mode by pressing the ✓ key (1) and select BOOST speed by pressing the → key (2).

Save and Exit by pressing the ✓ key (1).

Note: to reselect NORMAL speed, repeat the same steps sequence.

HEATER

The unit is supplied without an electric heater (on the screen it will display as default “NO HEATER”. A 500W heater is available as an accessory and if installed the heater mode is to be set to ‘YES’ in the service menu (refer to “set heater mode” section under the “service menu”).



Press the ✓ key (1) to enter edit mode.

Press the ↓ key (3) select heater.

Press the key → (2) to select Heater: Auto(off)

Press the ✓ key (1) to save and exit edit mode..

Selecting desired setting:

Heater: OFF the heater is switched off.

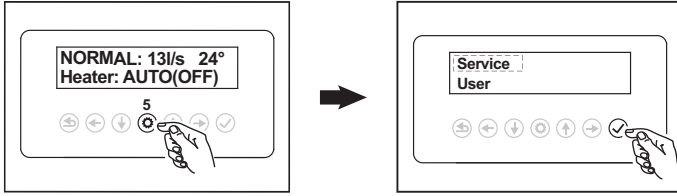
Heater: AUTO(OFF) / AUTO(ON), the heater is switched on or off automatically dependent on the set temperature parameters.

SERVICE MENU

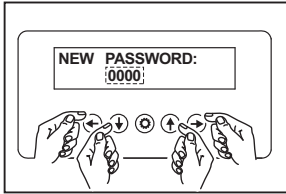
To commission (set up) the unit you need to enter the service functions menu. This is password protected so you will require the unit's password. If this is a new installation the default password is 0000.

Service menu accessible functions:

- Set speed
- Speed adjust (adjustment)
- Set Quiet mode
- Set Radon mode
- Set heater mode
- Heater Test
- Set thresh temp (temperature)
- Set winter temp (temperature)
- Set summer temp (temperature)
- Reset filter
- Change password
- Set Time

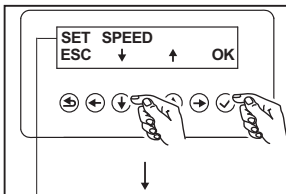


To access the service functions, press the key (5). Then press .



Use the & keys to select the numbers of the password. Once the required number is reached press to move to the next slot and use & keys to select the next number. Repeat this process until all four slots are full. Press the to confirm selection and enter the service menu screen.

If this is a new installation the default password is 0000.

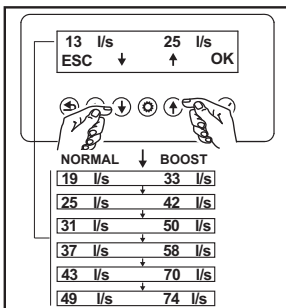


Service menu

Use the & keys to scroll the functions list, press the key to access function required.

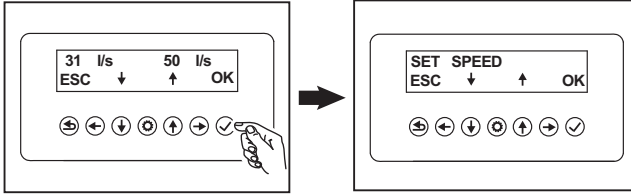
- ↓
- SPEED ADJUST
- ↓
- SET QUIET MODE
- ↓
- SET RADON MODE
- ↓
- SET HEATER MODE
- ↓
- HEATER TEST
- ↓
- SET THRESH. TEMP.
- ↓
- SET WINTER TEMP.
- ↓
- SET SUMMER TEMP.
- ↓
- RESET FILTER
- ↓
- CHANGE PASSWORD
- ↓
- SET TIME

SET SPEED



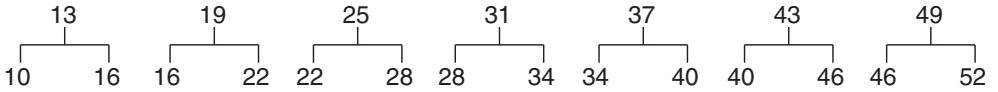
Use the & keys to scroll through speed settings, press the key to confirm selection. And return to service menu screen.

Press the Key twice (4) to return to main screen.

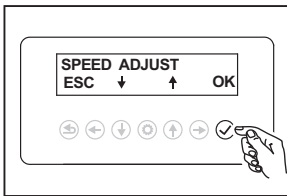


SPEED ADJUST (MENT)

The normal (set) speed can be refined by +3 l/s to -3 l/s.

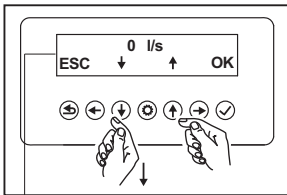


Note: The normal speed adjustment also affects the corresponding boost speed value with the same increment / decrement.



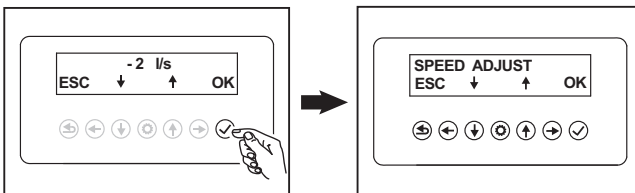
Service menu

Use the ↓&↑ keys to scroll the functions list, press the ✓ key to access function required (SPEED ADJUST).

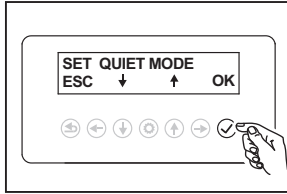


Use the ↓&↑ keys to scroll through speed adjustment settings, press the ✓ key to confirm selection and return to service menu screen. Press the ⏪ Key twice (4) to return to main screen.

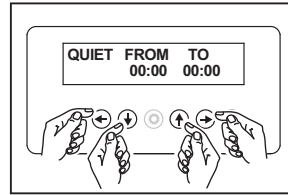
- ⊕ 3 l/s ↓
- 2 l/s ↓
- 1 l/s ↓
- 0 l/s ↓
- 1 l/s ↓
- 2 l/s ↓
- ⊖ -3 l/s ↓



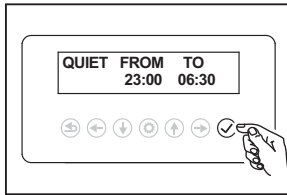
SET QUIET MODE



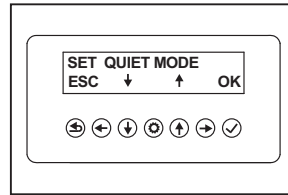
Service menu
Use the ↓ & ↑ keys to scroll the functions list, press the ✓ key to access function required (SET QUIET MODE).



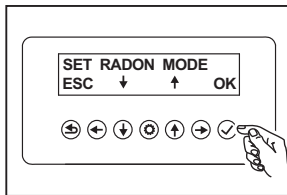
Use the ↓ & ↑ keys to select the start hour of the quiet mode. Then press → to move to the minutes and use the ↓ & ↑ keys to select the minutes. Press → to move to the hour on the end quiet mode, use the ↓ & ↑ keys to select the end hour. Then press → to move to the minutes and use the ↓ & ↑ keys to select the minutes.



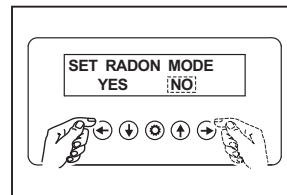
Press the ✓ key to confirm selection and return to service menu screen. Press the ⏪ Key twice (4) to return to main screen.



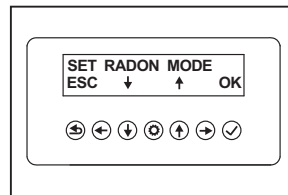
SET RADON MODE



Service menu
Use the ↓ & ↑ keys to scroll the functions list, press the ✓ key to access function required (SET RADON MODE).

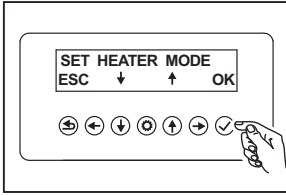


Use the ← & → keys to select YES (on) or NO (off). No (off) is the default setting. Press the ✓ key to confirm selection. And return to service menu screen. Press the ⏪ Key twice (4) to return to main screen.



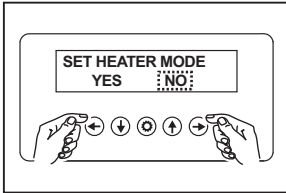
SET HEATER MODE

When the electric heater is installed the SET HEATER MODE function requires setting to YES to enable the heater function.



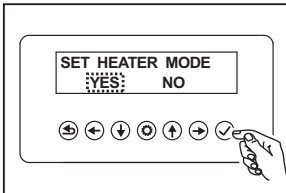
Service menu

Use the ↓ & ↑ keys to scroll the functions list, press the ✓ key to access function required (SET HEATER MODE).



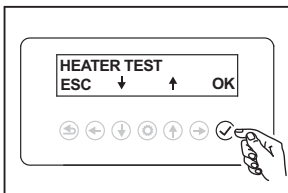
Use the ← & → keys to select YES or NO. 'NO' is the default setting.

Press the ✓ key to confirm selection and return to service menu screen. Press the ⏪ Key twice (4) to return to main screen.

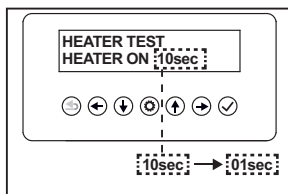


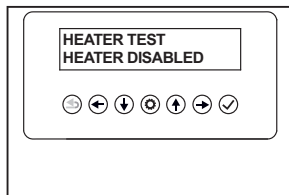
HEATER TEST

The SET HEATER TEST function checks and tests the heater operation. The heater will run for 10 seconds and will then return to the set function parameter (Refer to "HEATER" section under "Edit parameters").



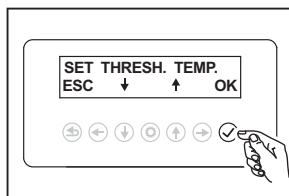
Use the ↓ & ↑ keys to scroll the functions list, press the ✓ key to access function required (SET HEATER TEST).



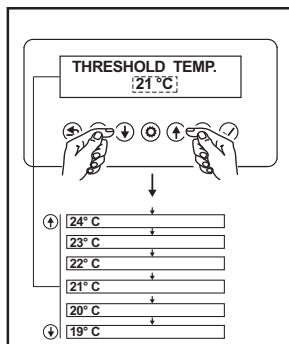


If the SET HEATER MODE is set to NO (Off) the screen will display "HEATER DISABLED" and then return to the HEATER TEST screen.
If the heater is connected go to the "SET HEATER MODE" section.

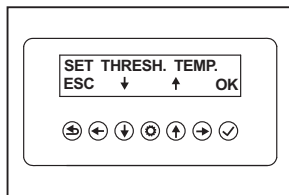
SET THRESH. TEMP



Service menu
Use the ↓ & ↑ keys to scroll the functions list, press the ✓ key to access function required (SET THRESH TEMP).



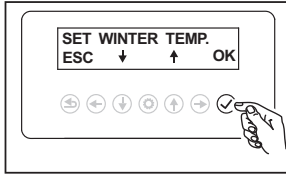
Use the ↓ & ↑ keys to scroll through temperature range 19°C to 24°C, press the ✓ key to confirm selection and return to service menu screen. Press the ⏪ Key twice (4) to return to main screen.
21°C is the factory default setting.



SET WINTER TEMP

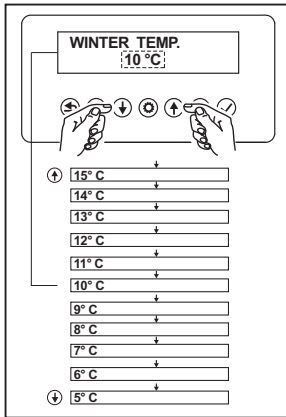
The winter temp(erature) setting is the ambient temperature of the air within the loft space that will switch the post heater ON and OFF. When the loft air temperature falls to or below the set point the post heater switches ON. When the air temperature in the loft climbs above the set point the post heater switches OFF. The selectable temperature range is from 5°C to 15°C with 10°C being the factory default setting.

IMPORTANT: The post heater needs to be installed, the SET HEATER MODE above must be enabled by setting to 'YES' and the heater must be set to AUTO mode (refer to "HEATER" section under 'Edit parameters').



Service menu

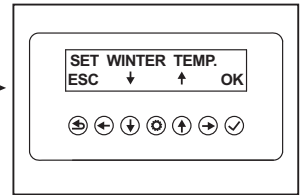
Use the ↓ & ↑ keys to scroll the functions list, press the ✓ key to access function required (SET WINTER TEMP).



Use the ↓ & ↑ keys to scroll through temperature range 5°C to 15°C, press the ✓ key to confirm selection. And return to service menu screen.

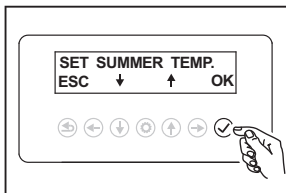
Press the ⏪ Key twice (4) to return to main screen.

10°C is the factory default setting.



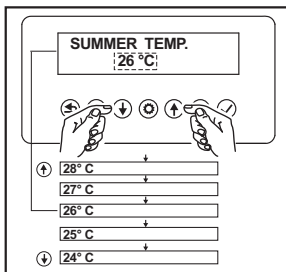
SET SUMMER TEMP

The summer temp(erature) setting is the ambient temperature of the air within the loft space which will when reached or exceeded, the PIV unit will go to standby mode until the air temperature within the loft falls below this point. The selectable temperature range is 24°C to 28°C with 26°C being the factory default.



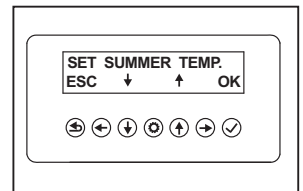
Service menu

Use the ↓ & ↑ keys to scroll the functions list, press the ✓ key to access function required (SET SUMMER TEMP).

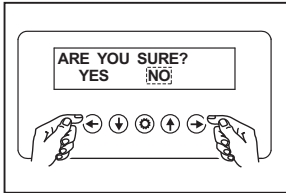
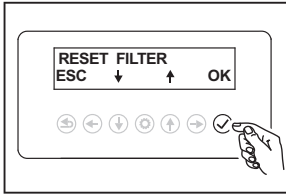


Use the ↓ & ↑ keys to scroll through temperature range 24°C to 28°C, press the ✓ key to confirm selection and return to service menu screen. Press the ⏪ Key twice (4) to return to main screen.

26°C is the factory default setting.



RESET FILTER



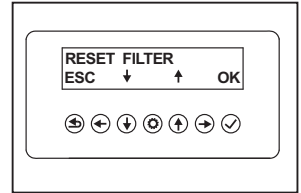
Service menu

Use the ↓ & ↑ keys to scroll the functions list, press the ✓ key to access function required (RESET FILTER).

Use the ← & → keys to select YES or NO.

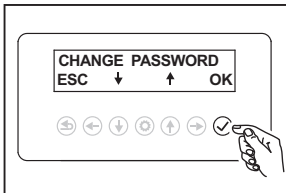
NO is the default.

Selecting YES will reset the counter to the start. Press the ✓ key to confirm selection and return to service menu screen. Press the ⏪ Key twice (4) to return to main screen.



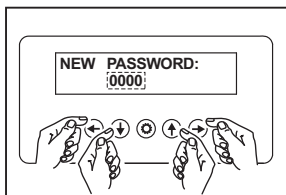
Note: Refer to "Maintenance" section for the recommended filter replacement interval.

CHANGE PASSWORD

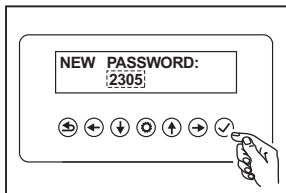


Service menu

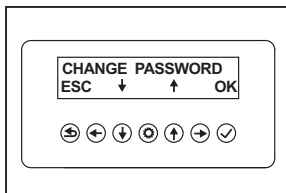
Use the ↓ & ↑ keys to scroll the functions list, press the ✓ key to access function required (CHANGE PASSWORD).



Use the ↓ & ↑ keys to select the numbers of the password. Once the required number is reached press → to move to the next slot and use ↓ & ↑ keys to select the next number. Repeat this process until all four slots are full.

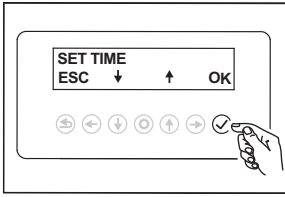


Press the ✓ key to confirm selection and return to service menu screen. Press the ⏪ Key twice (4) to return to main screen.



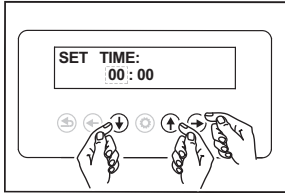
Important Make a note of the password. If the password is lost then contact your VORTICE dealer for the master password.

SET TIME

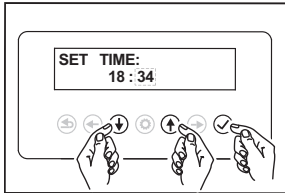


Service menu

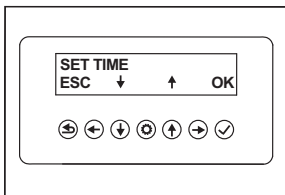
Use the ↓ & ↑ keys to scroll the functions list, press the ✓ key to access function required (SET TIME).



Use the ↓ & ↑ keys to select the hour. Then press → to move to the minutes and use the ↓ & ↑ keys to select the minutes.

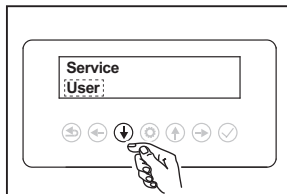
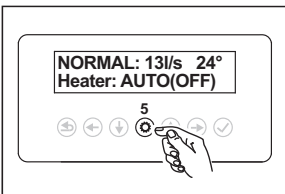


Press the ✓ to confirm selection and return to service menu screen. Press the ⏪ Key twice (4) to return to main screen. Note the clock is in 24 hour format.

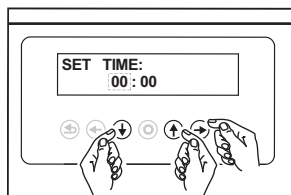


USER MENU

The only user function which is settable is the time. This is not password protected.

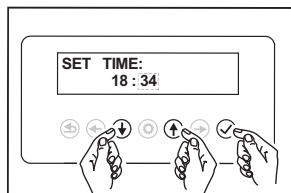


To access the user functions, press the ⚙ key (5), press the ↓ key to select User, then press ✓.



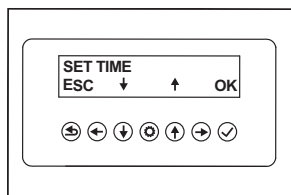
Use the ↓ & ↑ keys to select the hour.
Then press → to move to the minutes and use the ↓ & ↑ keys to select the minutes.

Press the ✓ to confirm selection. And return to service menu screen.



Press the ⏪ Key twice (4) to return to main screen.

Note the clock is in 24 hour format.



Maintenance

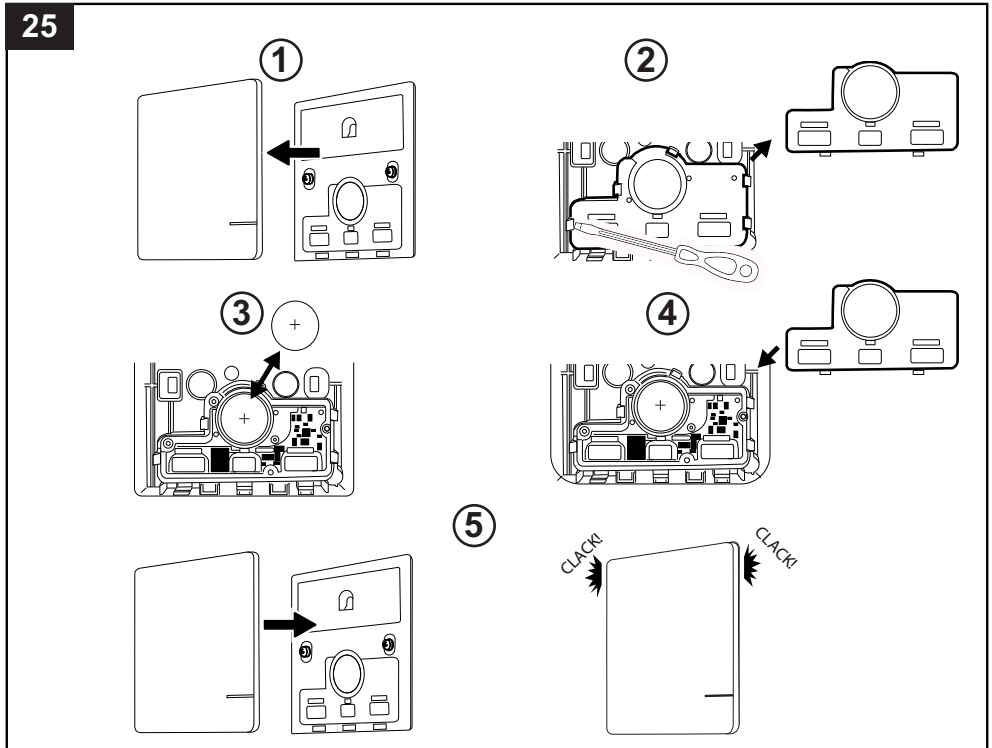
The unit does not require any special maintenance other than a periodic general cleaning and the replacement of the filter. Refer to the following table for the recommended filter replacement interval.

Setting	Max filter (G4) replacement interval (at Normal speed) [Years]**
1	7
2	7
3	6
4	6
5	5
6	5
7	4

**Filter change interval is purely indicative, depending on environmental pollution condition and usage of Boost mode.

Battery removal (RF models only)

- 1) Remove the switch cover panel by hands or by using a screwdriver.
- 2) Remove the battery cover by means of a flathead screwdriver.
- 3) Remove the plastic protection and replace the old battery with the new one.
- 4) Reinstall the battery cover.
- 5) Reinstall the switch cover panel.



Troubleshooting

Problem	Possible cause	Corrective action
In case of installation with an optional brackets kit the appliance vibrates during operation	The anti-vibration mounts have not been installed or have been installed without following the instructions provided with the accessory.	Check that the installation of anti-vibration mounts has been done correctly.

Problem	Possible cause	Corrective action
<p>The external RF switch (VORT PIV QUADRO RF models only) does not work</p>	<p>RF switch battery low (if the switch button is pressed the blue LED does not blink)</p>	<p>1) Proceed to replace the battery.</p>
	<p>No transmission radio frequency signal</p>	<p>2) Check that the RF switch has not been installed too far from the receiver on the unit to impede the signal transmission. 3) Check that there aren't any insulating materials that could prevent signal transmission between the switch and the receiver on the unit. 4) Check that there aren't any electromagnetic disturbances in the environment that interfere with the correct functioning. 5) Verify that the RF switch is not installed on a metal surface. 6) Verify that the unit has not been installed in a metal cage because it would be isolated and the radio frequency signal would not reach the receiver.</p>
	<p>Components damaged (transmitter or receiver on the machine)</p>	<p>7) Contact an Authorized VORTICE Service Center and request the replacement of the component s only after having carried out all the checks from point 1) to 6).</p>
<p>The electric heater is not functioning</p>	<p>The intake air temperature is higher than the set value for "Winter Temp" or it is not detected / intervention of the thermostat (automatic or security thermostat) on the heater.</p>	<p>1) Check the threshold value set for "Winter Temp" in the "Service" menu. 2) The electric heater adjustable thermostat may have intervened (the temperature in the loft is higher than the preset value - see fig. 20) 3) Check if the electric heater manual reset safety thermostat has tripped. In such a case, contact an Authorized VORTICE Service Center for assistance before resetting the thermostat (fig. 20). 4) Damage to the temperature probe: contact an Authorized VORTICE Service Centre.</p>
<p>Too hot air intake</p>	<p>Overheating of the electric heater resistance but ventilation unit still working</p>	<p>Possible damage to the thermostats on the heater: contact an Authorized VORTICE Service Centre.</p>
<p>Flow of the air interrupted</p>	<p>The motor fan may have broken or blocked.</p>	<p>1) Disconnect the unit from the mains. 2) Have the wiring diagrams of the unit checked by a specialized technician. 3) Breakage of the fused spur. Contact an Authorized VORTICE Service Centre. 4) Blockage or breakage of the fan motor. Contact an Authorized VORTICE Service Centre.</p>
<p>Reduction of the air flow introduced into the room or excessive noise</p>	<p>Incorrect installation of the diffuser or of the PIV unit components</p>	<p>Check that the installation of the PIV unit has been carried out following the instructions in this booklet.</p>
	<p>Possible clogging due to lack of cleaning the filter or replacing it within the recommended time frame (see "Maintenance" section).</p>	<p>1) Check that the filter is installed correctly and that there are no bulky materials that cover the filtering area. 2) Proceed to check the state of cleanliness of the installed filter and its eventual replacement.</p>
<p>Display is switched off but the ventilation unit is still operating</p>	<p>Broken display on the VORT PIV QUADRO /RF loft mounted unit</p>	<p>Contact an Authorized VORTICE Service Centre.</p>

Disposal

This product complies with Directive 2012/19/EU on the management of waste electrical and electronic equipment (WEEE).

The crossed-out wheeled bin symbol on the appliance indicates that, at the end of its useful life, the product must be taken to a specialised company for transport and treatment. This company will take care of the disposal of the various materials making up the product and their subsequent proper recycling.



Alternatively, the manufacturer of the appliance is obliged to take back the product to be disposed of in exchange for the purchase of an equivalent appliance.

Informations générales

Description des symboles utilisés dans le manuel

Obligation



Obligation générique



Obligation de lire les instructions



Obligatoire de débrancher



S'adresser à du personnel professionnellement qualifié

Interdiction



Interdiction générique

Danger



Danger générique

But du manuel

Ce manuel contient les informations relatives à l'utilisation correcte et à l'entretien de l'appareil.



Avant d'installer et d'utiliser le produit, lire attentivement les instructions contenues dans ce livret

L'entreprise VORTICE S.p.A. ne pourra pas être tenue pour responsable en cas de dommages éventuels à des personnes ou à des biens causés par le manque de respect des indications énumérées ci-dessous, leur respect garantira au contraire la durée et la fiabilité électrique et mécanique de l'appareil. Il faut donc toujours conserver ce manuel. Ne pas modifier ou éliminer les pièces du manuel ou leurs contenus.

Description du produit

VORT PIV QUADRO est une unité de ventilation à entrée positive (PIV) qui améliore la qualité de l'air à l'intérieur d'une habitation et contribue à résoudre efficacement les problèmes provoqués par la condensation et les moisissures. L'unité peut également être utilisée pour maintenir le gaz radon à un niveau déterminé. Le système aspire l'air des combles en fournissant l'air filtré dans l'environnement interne par un diffuseur dans le plafond. Le tuyau de l'unité présente un diamètre de 160 mm, mais le produit est compatible pour une unité PIV avec un diamètre d'orifice du diffuseur de 200 mm.

À partir de l'écran intégré, il est possible de sélectionner l'un des 7 réglages de vitesse disponibles. Pour chaque configuration, une valeur est définie pour la vitesse normale (prédéfinie) et pour la vitesse de boost correspondante.

Les vitesses normales et de boost peuvent également être modifiées, dans un certain intervalle, pour répondre aux exigences de chaque habitation.

Il est également possible d'associer à l'unité un chauffage électrique (500 W) qui tempère l'air d'entrée lorsque la température de la mezzanine est inférieure à une valeur prédéfinie.

En plus du modèle de base VORT PIV QUADRO, le modèle VORT PIV QUADRO RF, est équipement disponible et dispose d'un interrupteur à radiofréquence pour sélectionner la vitesse normale ou de boost.

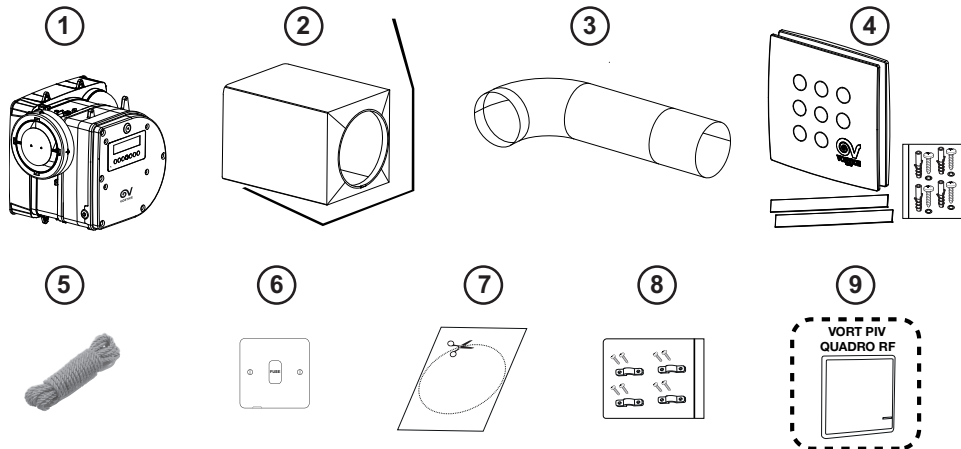
Fonctions supplémentaires

- Fonction silencieuse QUIET qui empêche l'unité d'activer le mode boost, dans un intervalle de temps défini (pendant les heures de nuit).
- Fonction RADON qui permet un fonctionnement continu, avec pour objectif d'atténuer les traces de radon.
- Enregistrement de la durée de fonctionnement de l'unité depuis la première installation (Data Logger).
- Possibilité de raccordement à des capteurs externes (par exemple les capteurs C-TEMP, C-SMOKE, C-HCS du catalogue VORTICE) qui permettent de passer de la vitesse normale à la vitesse boost lorsque des valeurs seuil configurées sont dépassées.
- Possibilité de raccorder l'appareil à un détecteur anti-fumée qui déconnecte l'unité en cas d'incendie (se référer au paragraphe « Câblage » de ce manuel).
- Pour la version standard sans télécommande à radiofréquence : possibilité d'ajouter un ou deux interrupteurs muraux (non fournis), l'un pour sélectionner alternativement la vitesse normale ou de boost, et l'autre pour allumer ou arrêter le chauffage en option.

Voir le paragraphe « fonctionnement » pour une description plus détaillée des fonctions fournies par l'unité.

Structure et matériel fourni

1. Unité de ventilation.
2. Filtre à sac G4 (Iso Coarse 65 %) + bande auto-adhésive.
3. Tuyau flexible en PVC de 3 m (Ø 160 mm).
4. Diffuseur pour installation dans le plafond avec deux profilés de fermeture, 4 vis et rondelles, 4 chevilles.
5. Corde pour fixation en suspension.
6. Boîtier pour fusible 3A.
7. Gabarit d'installation
8. 4 serre-câbles
9. Interrupteur à radiofréquence (uniquement pour VORT PIV QUADRO RF).



Conformité d'utilisation

- Cet appareil peut être utilisé par des enfants d'au moins 8 ans et par des personnes ayant des capacités physiques, sensorielles ou mentales réduites, ou manquant d'expérience ou de connaissance, s'ils sont sous surveillance ou après qu'ils aient reçu des instructions concernant la manipulation en toute sécurité de l'appareil et la compréhension des dangers inhérents. Les enfants ne doivent pas jouer avec l'appareil. Le nettoyage et l'entretien à effectuer par l'utilisateur ne doivent pas être effectués par des enfants sans surveillance.
- Ces appareils ont été conçus pour une utilisation en environnement résidentiel et commercial.
- L'appareil doit être installé par un professionnel qualifié.
- L'installation électrique à laquelle le produit est raccordé doit être conforme aux normes en vigueur.
- Pour l'installation, il est nécessaire de prévoir un interrupteur omnipolaire avec ouverture à distance égale ou supérieure à 3 mm entre les contacts, qui permet la déconnexion complète dans les conditions de la catégorie de surtension III.
- Les produits équipés de moteurs prédisposés au câblage monophasé (M) nécessitent TOUJOURS d'une connexion à des lignes monophasées à 220-240 V (ou seulement 230 V quand le produit le prévoit). Toute sorte de modification est considérée comme une manipulation du produit et annule la garantie correspondante.
- Il est nécessaire de prendre ses précautions afin d'éviter des émanations de gaz provenant du conduit d'évacuation des gaz ou d'autres appareils à combustion de carburant.
- En cas de coupure de courant, l'appareil redémarrera, au retour du secteur, à la vitesse du mode Normal (« Normal ») correspondant à la vitesse de réglage précédemment sélectionnée.

Sécurité/avertissements



- Après avoir retiré le produit de l'emballage, s'assurer de son intégrité. En cas de doute, s'adresser immédiatement à un Centre Assistance Technique autorisé VORTICE. Ne pas laisser de parties de l'emballage à la portée des enfants ou de personnes ayant des capacités physiques, sensorielles ou mentales réduites.
- Ranger l'appareil hors de portée des enfants et de personnes souffrant d'un handicap à partir du moment où l'on décide de la débrancher et de ne plus l'utiliser.
- En cas de dysfonctionnement et/ou de panne de l'appareil, contacter immédiatement un Centre Assistance Technique autorisé VORTICE et faire la demande, en cas de réparation éventuelle, de pièces de rechange originales VORTICE.
- Raccorder l'appareil au réseau d'alimentation seulement si le débit de l'installation est adapté à sa puissance maximale. Dans le cas contraire, contacter immédiatement un professionnel qualifié.
- Les branchements électriques doivent être conformes au document « The Building Regulations » et à la dernière version du règlement IET BS7671 au Royaume-Uni (ou aux normes équivalentes dans les autres pays).
- Les données électriques du réseau doivent correspondre à celles reportées sur la plaque.





- Ne pas utiliser ce produit pour une fonction différente de celle exposée dans ce livret.
- N'apporter aucune modification qu'il soit à l'appareil.



- L'utilisation de n'importe quel appareil électrique implique de se conformer à certaines règles fondamentales, parmi lesquelles :
 - ne pas le toucher avec les mains mouillées ou humides ;
 - ne pas le toucher pieds nus ;
 - ne pas permettre l'utilisation de l'appareil par des enfants ou des personnes souffrant d'un handicap sans surveillance.
- Si l'appareil tombe ou s'il est soumis à des chocs importants, le faire contrôler immédiatement par un Centre Assistance Technique autorisé VORTICE.
- Si le câble d'alimentation est endommagé, il doit être remplacé par le fabricant ou par son service d'assistance technique, ou par une personne ayant la qualification requise, afin d'éviter tout risque.
- Attention : certaines parties de ce produit peuvent devenir chaudes et provoquer des brûlures. Être particulièrement prudent lorsque des enfants ou des personnes vulnérables sont présentes.



Avvertenze generali per l'installatore



REMARQUE : Le document officiel de référence est : « The Building Regulations: Approved Document F: Volume 1 applies to dwellings ».

- Débrancher l'alimentation avant d'effectuer toute opération de maintenance ou avant toute opération sur le thermostat à bulbe réglable présent sur le chauffage.
- Les parties terminales du tuyau flexible doivent être solidement fixées à l'unité et à la bride du diffuseur.
- Avant l'installation, vérifier que les combles sont correctement ventilées. Vérifier que les prises d'air (par ex. : aérateur de la crête de toit, aérateurs pour toits à pans inclinés) ne sont pas obstruées.
- Il peut être nécessaire de fournir une ventilation supplémentaire pour les combles dans le cas où les combles sont scellées de l'extérieur et ne sont donc pas suffisamment ventilées.
- Vérifier que les éventuels réservoirs d'eau présents dans les combles sont couverts et scellés.
- Vérifier que les portes des combles sont bien scellées.
- Des contrôles sont nécessaires pour vérifier l'absence de fuites du plafond. Par exemple, une porte de la mezzanine qui est peu scellée peut provoquer le transfert d'humidité dans les combles. Vérifier que tous les trous présents dans le plafond sont scellés, par exemple les fixations des lampes.
- L'installateur doit vérifier l'absence de fuites dans les conduites d'évacuation des fumées ou dans les conduites de gaz dans les combles.
- Toujours porter des équipements de protection (masque, gants, combinaison de protection) lors d'une intervention avec tout type d'isolant présent dans les combles.
- Les cloisons entre des habitations adjacentes ne doivent pas présenter de fissures ou de trous. Vérifier que les cloisons sont intactes.
- Le diffuseur ne doit pas être installé à moins de 1 m d'un détecteur de fumée. S'il est nécessaire d'installer le diffuseur à une distance inférieure à 1 m du détecteur de fumée, il est possible d'appliquer sur le diffuseur un ou deux profilés en plastique qui bloquent le passage de l'air dans une ou deux directions. Dans cette configuration, les côtés sans profilé en plastique doivent se trouver à une distance d'au moins 1,5 m d'un éventuel détecteur de fumée. (voir fig. 4).
- Dans les habitations dont la hauteur de la surface habitable est supérieure à 4,5 m ou qui comptent 3 étages ou plus, l'appareil doit être raccordé à un détecteur de fumée afin de pouvoir être déconnecté en cas d'incendie.
- Dans les habitations dont la hauteur de la surface habitable est supérieure à 4,5 m, le diffuseur doit toujours être installé à une distance minimale de 1 m du détecteur de fumée. Dans ce cas, ne pas utiliser les profilés en plastique fournis.
- Lors du câblage, la boîte à fusibles doit être un élément intégré au système.
- Le tuyau flexible, une fois installé, doit conserver une longueur minimale d'un mètre.
- L'appareil ne doit pas gêner le fonctionnement des appareils d'évacuation des fumées. Consulter les réglementations locales ou un technicien du gaz qualifié.
- NE PAS installer ce produit dans des zones où peuvent se trouver :
 - Une atmosphère trop chargée en huile ou en graisse.
 - Des gaz, liquides ou vapeurs corrosifs ou inflammables.
 - Tout obstacle susceptible de gêner l'accès à l'appareil ou son retrait.
 - Une humidité relative supérieure à 90 %.
- Le tuyau flexible ne doit pas être comprimé afin de ne pas nuire aux performances de l'appareil.
- Pour les versions RF, il est déconseillé d'installer l'interrupteur RF sur une surface métallique, car le métal interfère avec le signal sans fil.
- L'appareil est équipé d'une batterie qui maintient l'heure actuelle en cas de panne de courant. Ce n'est qu'en cas d'interruption prolongée (par exemple, en cas de batterie faible) qu'il est nécessaire de remettre l'heure à zéro (voir « Régler l'heure » dans le « menu configuration »). Dans tous les cas, l'appareil conserve les



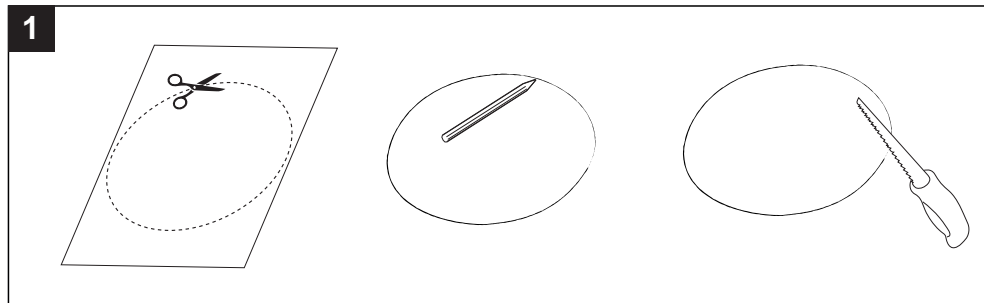
configurations précédentes.

Installation

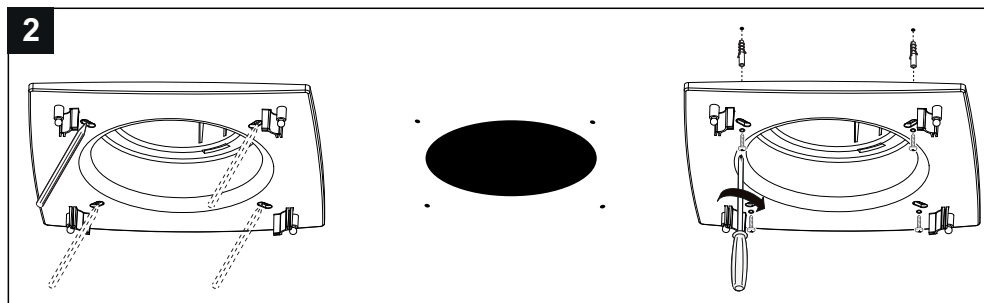
• Fixation du diffuseur au plafond

Percer un trou de 200 mm de diamètre dans le plafond à l'endroit choisi pour l'installation. Si nécessaire, utiliser le modèle de papier fourni.

1) Tracer un cercle sur le plafond et percer le trou à l'aide de l'outil le plus adapté au type de plafond

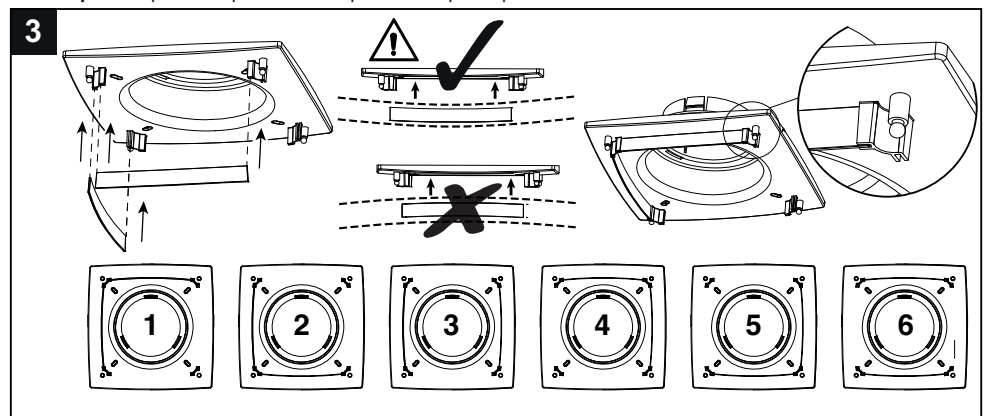


2) Marquer les trous dans le plafond à l'aide d'un crayon et fixer le diffuseur à l'aide des chevilles, des vis et des rondelles fournies.



3) Un ou deux profilés avec une extrémité en plastique peuvent être fixés au diffuseur pour dévier le flux d'air dans une ou deux directions et l'éloigner du détecteur de fumée. Six configurations différentes sont donc disponibles en fonction des exigences de l'installation. Une distance inférieure à 1 m peut être tolérée entre le côté du diffuseur où le profilé est installé et un détecteur de fumée. Sur les côtés sans profilé en plastique, la distance entre le détecteur de fumée et le diffuseur doit être de 1,5 m ou plus.

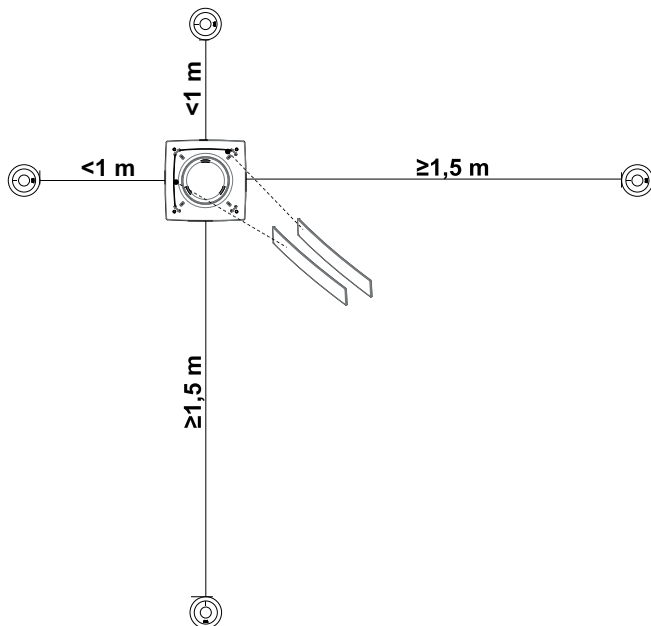
Remarque: Ne pas fixer plus de deux profilés en plastique sur le diffuseur.



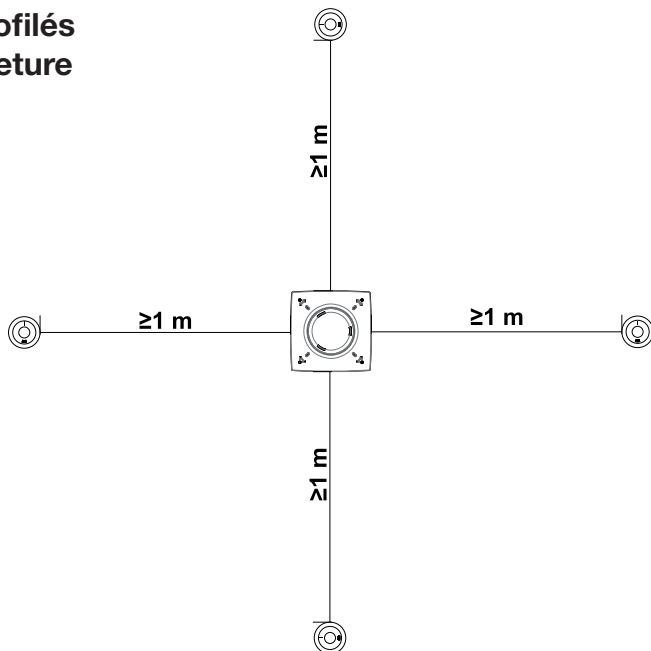
Exemple d'installation du diffuseur (avec et sans profilés de fermeture) avec les distances de détection de fumée associées.

4

Avec profilés de fermeture



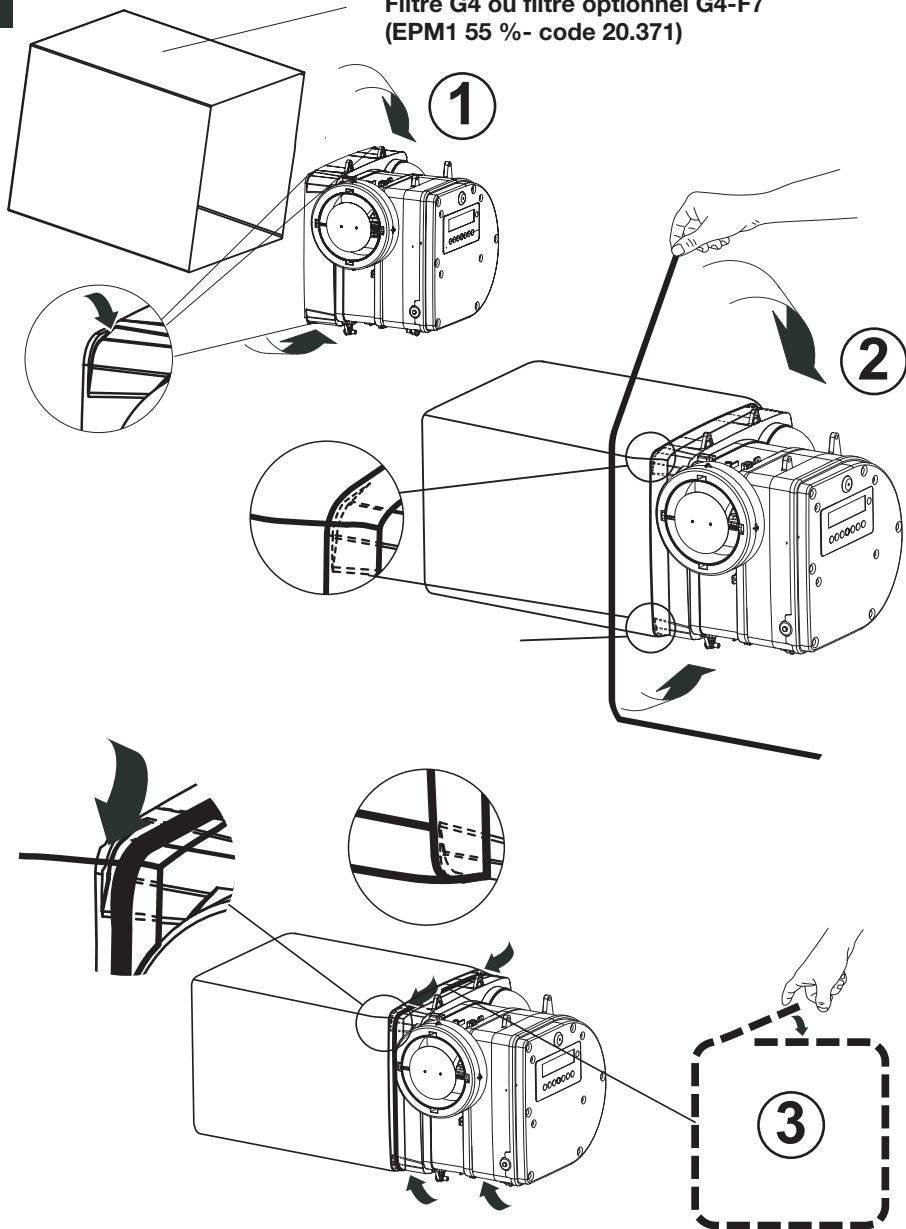
Sans profilés de fermeture



• Fixation du filtre sur l'unité de ventilation

5

Filter G4 or optional filter G4-F7
(EPM1 55 %- code 20.371)

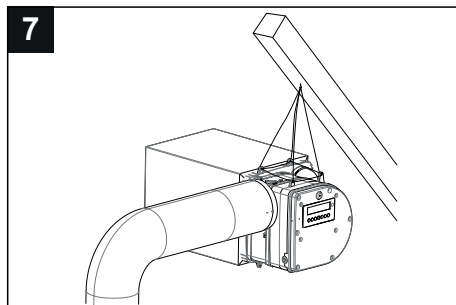
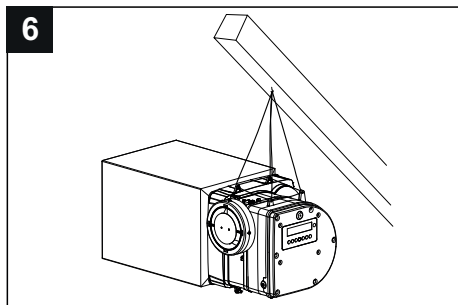


• Fixation de l'unité de ventilation

L'installation peut être effectuée avec l'appareil suspendu (par exemple à une poutre de toit) à l'aide de la corde fournie, ou fixé au sol ou aux chevrons dans les combles à l'aide de supports spécifiques disponibles en option.

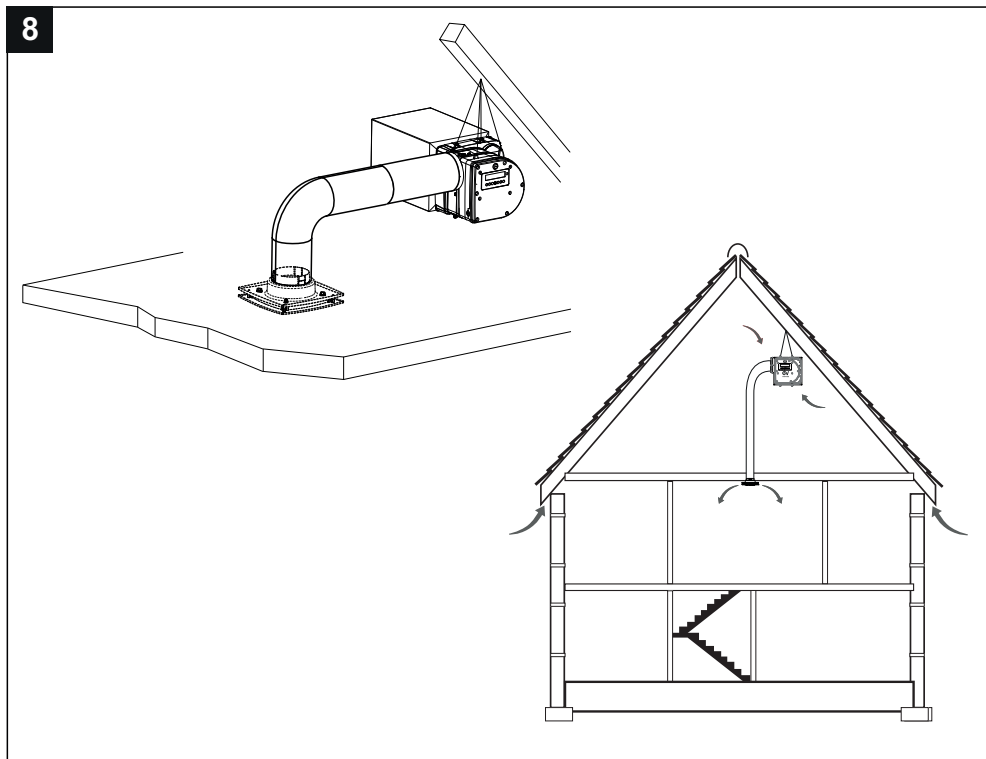
1) Mode suspension

- a) Utilisez la corde fournie pour suspendre l'appareil à un crochet sur un linteau des combles (fig. 6).
- b) Fixer solidement le tuyau à l'appareil (fig. 7).



- c) Fixer le tuyau à la bride du diffuseur de plafond (fig. 8).

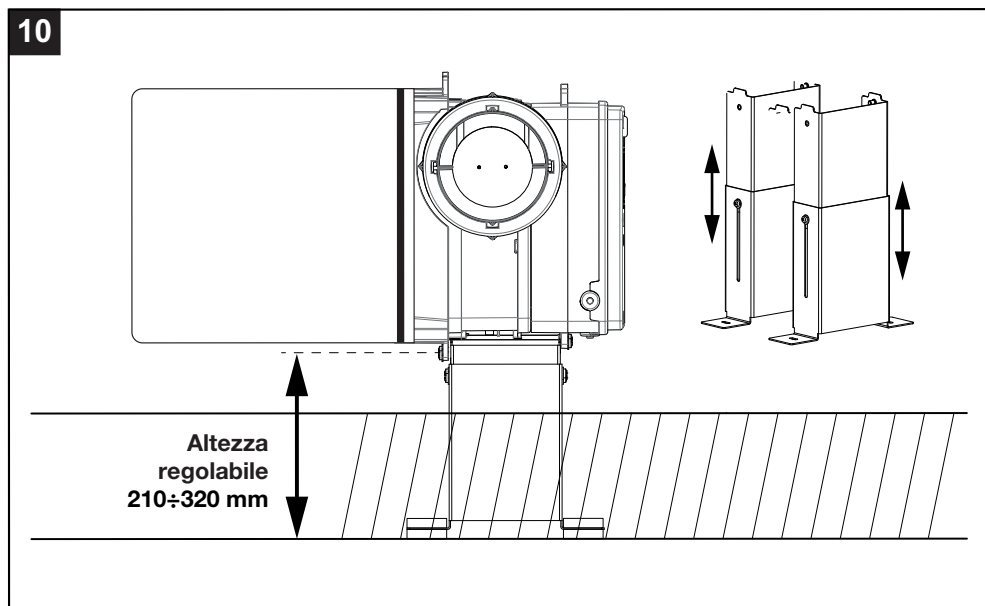
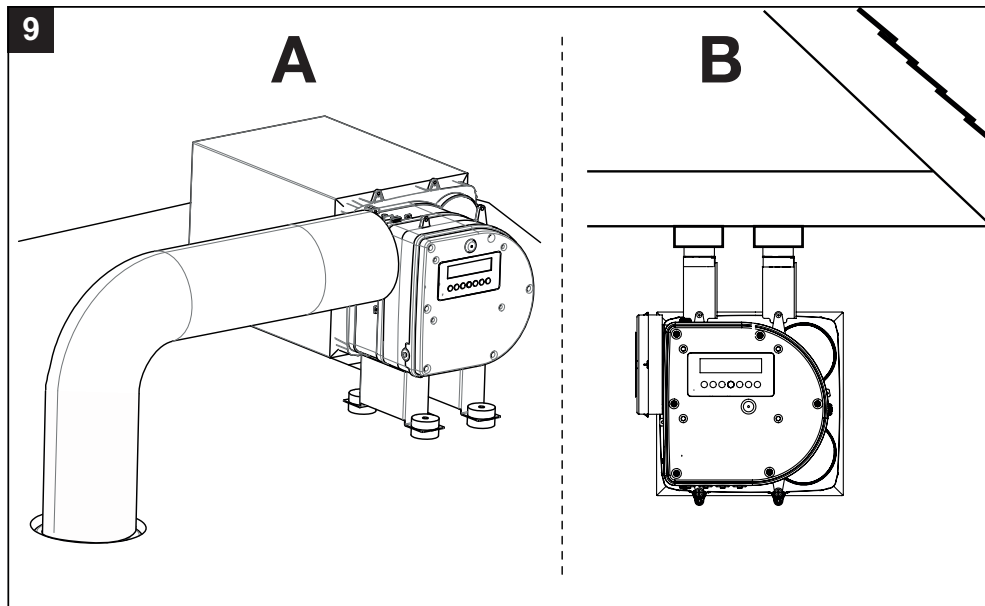
Remarque: Les raccords de tuyaux peuvent être rendus étanches à l'aide de deux colliers de serrage (non-fournis).



2) Fixation à l'aide d'équerres (accessoires en option)

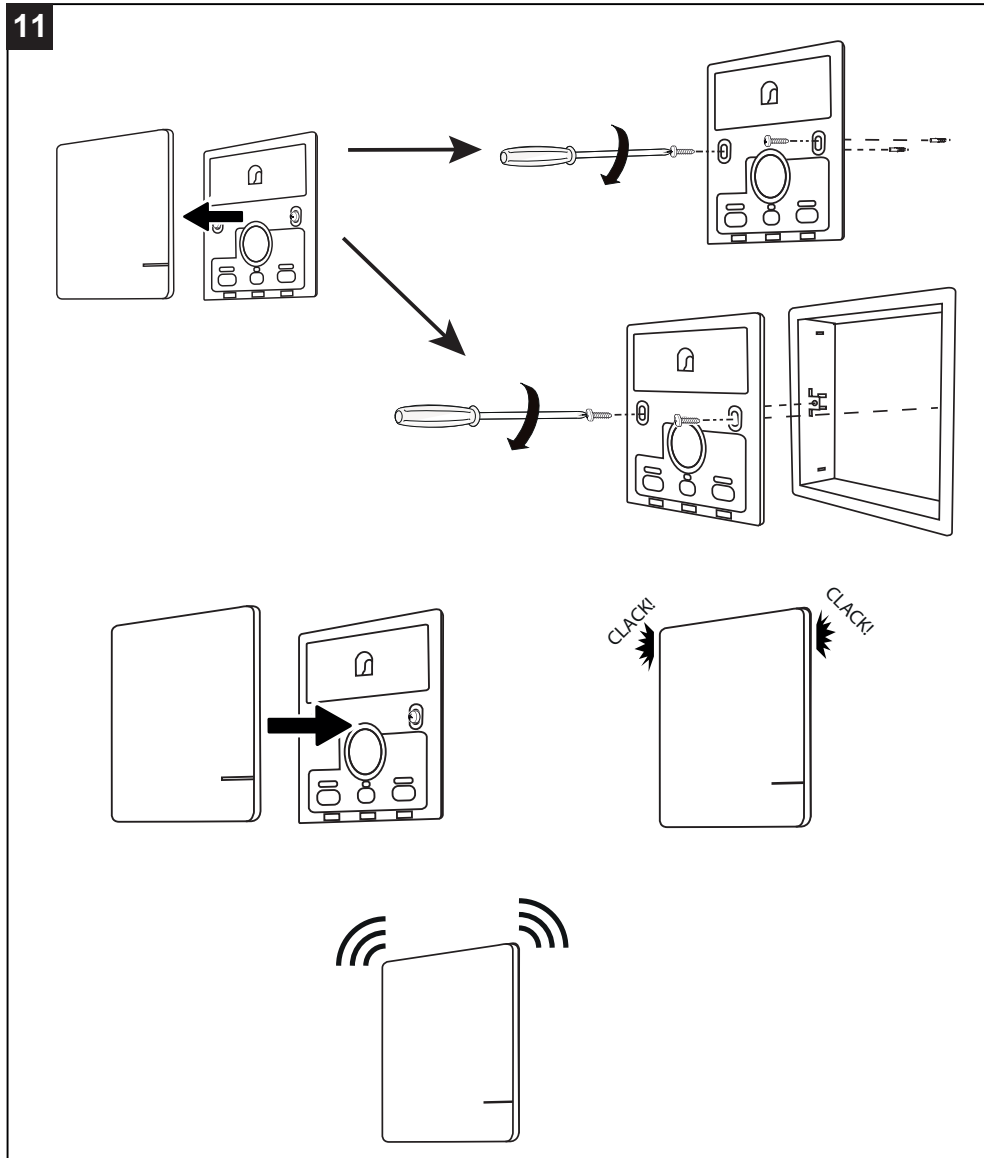
Deux accessoires en option sont disponibles sur demande :

- 20.695 - KIT STAFFE VORT PIV QUADRO : version à hauteur fixe, pour l'installation de l'appareil directement sur le plancher des combles (fig. 9A) ou sur des solives ou des liteaux spécifiques installés dans les combles (fig. 9B).
- 20.460 - KIT STAFFE REGOLABILI VORT PIV QUADRO : version à hauteur réglable manuellement (fig. 10) qui permet d'installer l'unité au-dessus de toute isolation des combles.



• Installation d'un interrupteur de radiofréquence (RF)

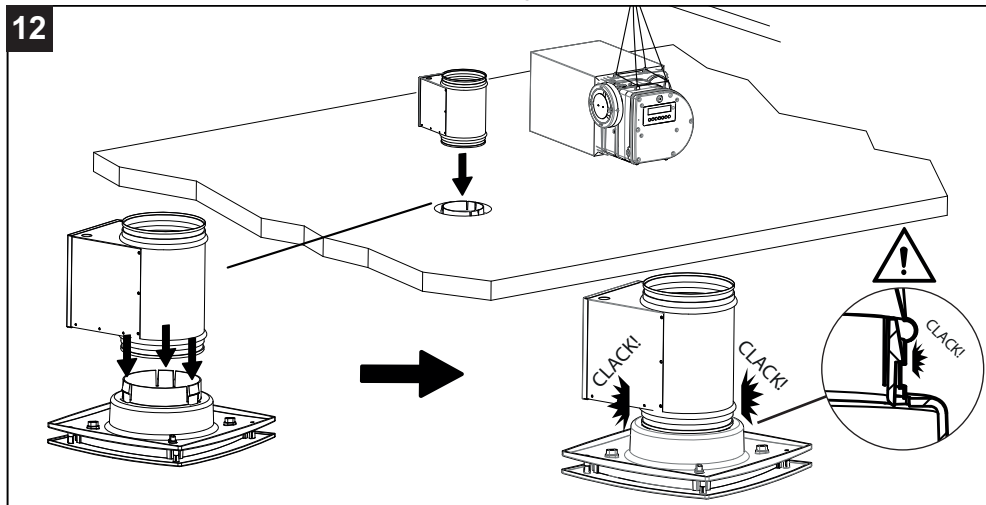
L'interrupteur peut être installé au mur ou fixé à un boîtier de montage mural normal à l'aide des deux vis (non fournies) (fig. 11).



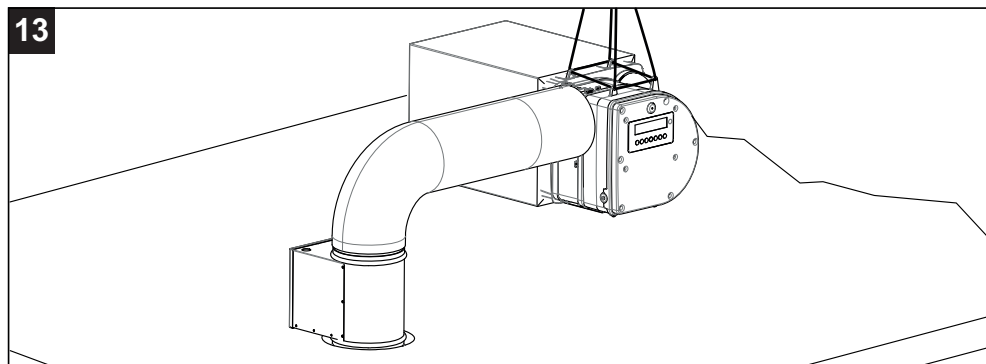
L'interrupteur sans fil et le récepteur de l'appareil ont déjà été appariés en usine.

• Installation d'un chauffage de 500 W (en option - code VORTICE 20.359)

a) Fixer la résistance électrique sur la bride du diffuseur (fig. 12).

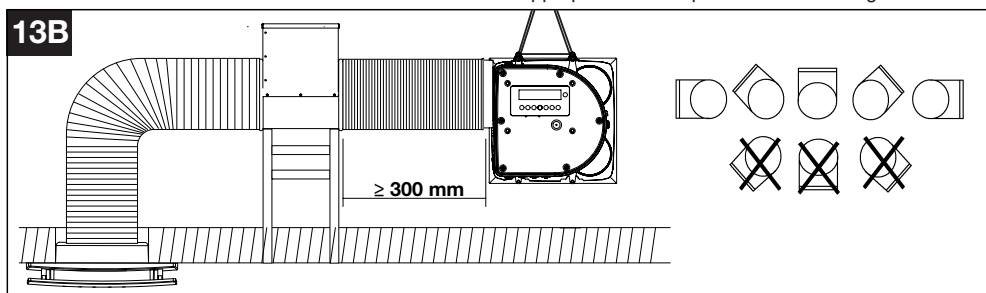


b) Fixer le tuyau à l'appareil et à la résistance électrique. Les raccordements des tuyaux peuvent être rendus étanches à l'aide de colliers de serrage (non fournis) (fig. 13).



Remarque 1 : La configuration illustrée sur la figure 12-13 est la solution optimale car elle est la plus efficace sur le plan thermique (aucun tuyau isolé thermiquement n'est nécessaire).

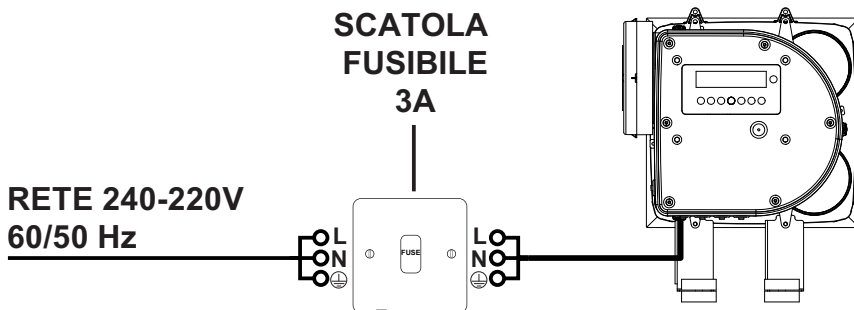
Remarque 2 : Se référer à la Fig. 13B pour l'installation de l'appareil de chauffage entre le diffuseur et l'unité de ventilation. Ne jamais installer l'appareil avec le boîtier électrique orienté vers le bas. L'installateur devra concevoir une structure appropriée sur site pour fixer le chauffage.



Câblage

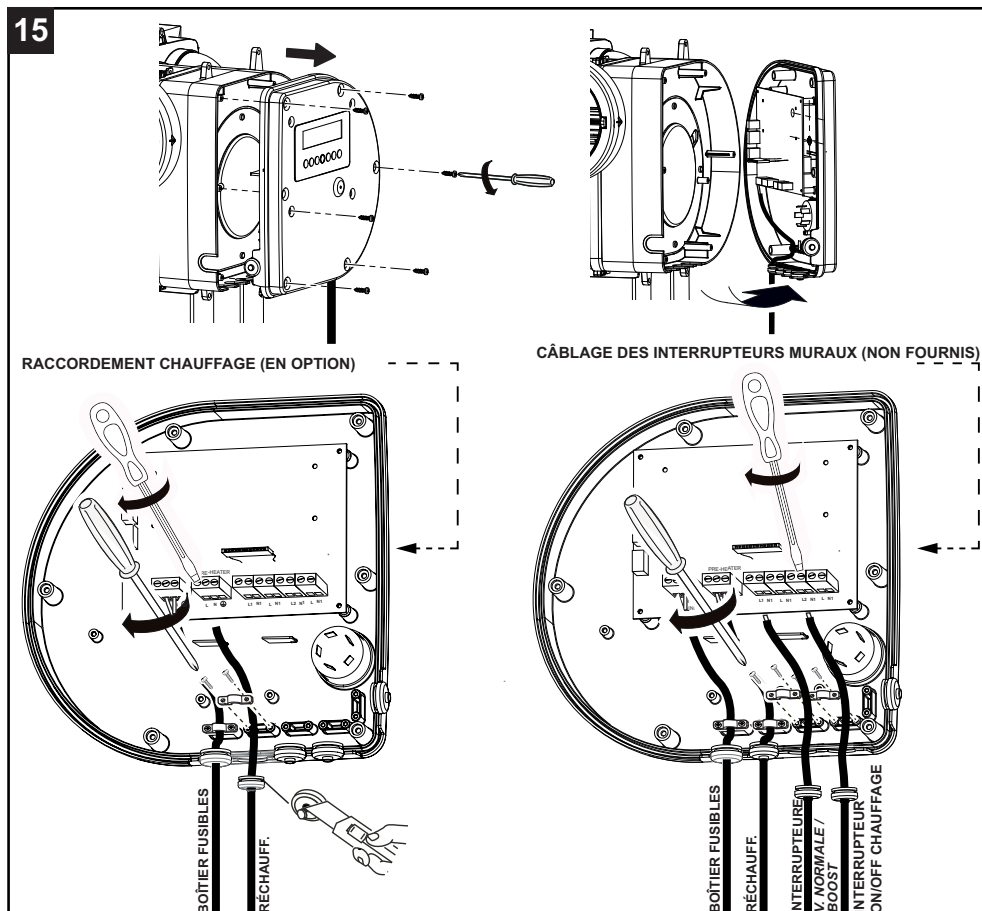
Lors du câblage, la boîte à fusibles doit être un élément intégré au système (fig. 14).

14



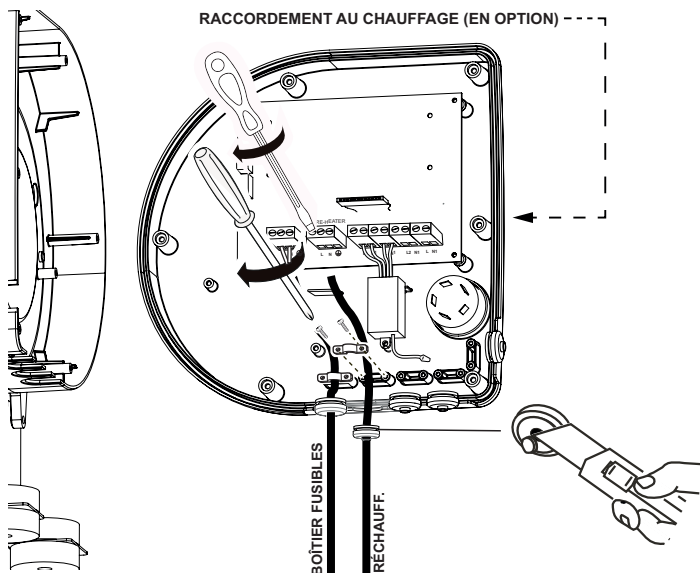
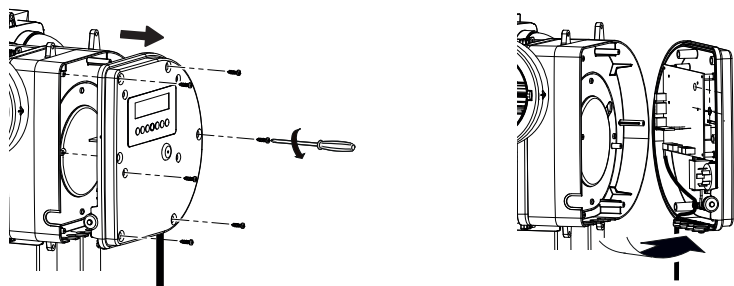
• VORT PIV QUADRO (voir schéma sur la fig. 18)

15

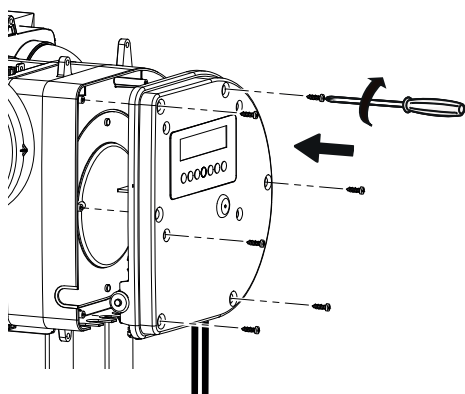


• VORT PIV QUADRO RF (vedere schema di fig. 19)

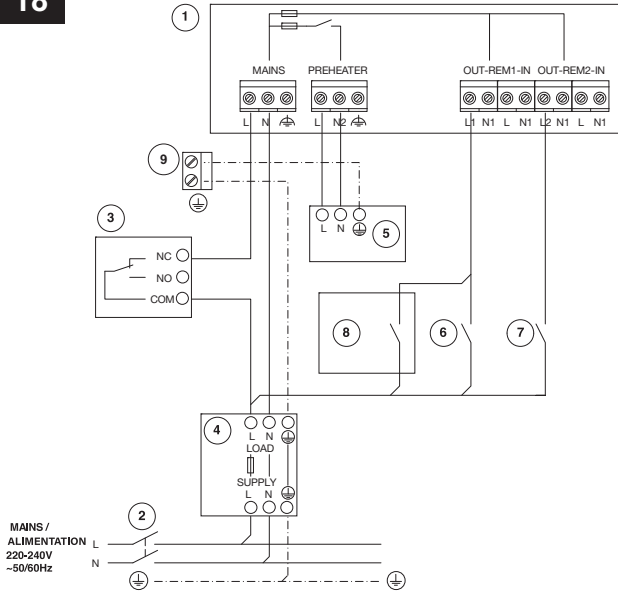
16



17



18

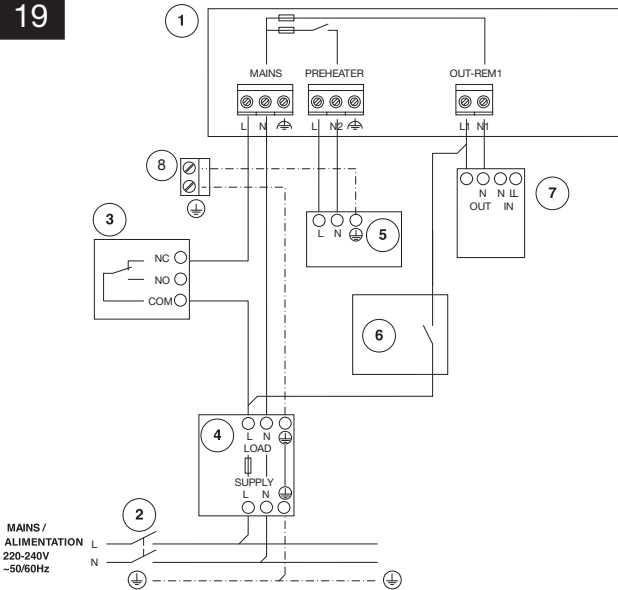


- 1 Unité PIV
- 2 Interrupteur bipolaire principal (Mains bipolar switch)
- 3 Détecteur FUMÉE / CO avec contacts NO/NC (uniquement pour référence)
- 4 Boîtier à fusibles
- 5 Chauffage (pré-chauffage)
- 6 Interrupteur à distance Boost
- 7 Interrupteur à distance chauffage
- 8 Capteur externe C TEMP / C FUMÉE C HCS (uniquement pour référence)
- 9 Mise à la terre de protection PE



La boîte à fusibles (4) doit toujours être utilisée.

19

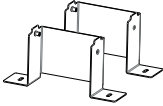
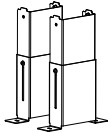
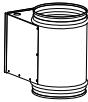
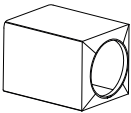


- 1 Unité PIV
- 2 Main bipolar switch / Interrupteur bipolaire principal
- 3 Détecteur FUMÉE / CO avec contacts NO/NC (uniquement pour référence)
- 4 Boîtier à fusibles
- 5 Chauffage (pré-chauffage)
- 6 Capteur externe C Temp, C Fumée, C HCS (uniquement pour référence)
- 7 Module interne RF
- 8 Mise à la terre de protection PE



La boîte à fusibles (4) doit toujours être utilisée.

Accessoires

Code	Illustration	Nom et description de l'accessoire	Remarques
20.695		« BRACKETS KIT VORT PIV QUADRO » : version à hauteur fixe	Se référer à la fig. 9 et à la notice d'installation spécifique fournie avec l'accessoire.
20.460		« ADJUSTABLE BRACKET KIT VORT PIV QUADRO » : version à hauteur réglable manuellement	Se référer à la fig. 10 et à la notice d'installation spécifique fournie avec l'accessoire.
20.359		« ELECTRIC HEATER 500 PIV » : Chauffage de 500 W.	Voir la section « Chauffage » dans le paragraphe « Fonctionnement » et le manuel spécifique à l'accessoire.
20.371		FTR EPM1 55% G4-F7 PIV QUADRO	Se référer à la fig. 5 pour l'installation du filtre.

Fonctionnement

• VORT PIV QUADRO

Fonctionnement automatique

VORT PIV QUADRO fonctionne en continu et permet à l'installateur de régler l'une des sept vitesses disponibles. Chaque réglage comprend deux valeurs : l'une se rapportant à la vitesse normale et l'autre à la vitesse de boost. Une fois démarrée, l'unité fonctionne à une vitesse normale. La vitesse de boost peut être sélectionnée à partir de l'écran ou de l'interrupteur mural, s'il est installé (voir la section « Fonctionnement »). Un capteur de température situé sur le couvercle de l'appareil permet de mesurer la température de l'air aspiré dans les combles. Cette température détectée détermine la stratégie de fonctionnement de l'appareil, qui est basée sur trois paramètres configurables :

- **Thresh.temp (Temp. été)** : seuil de température de l'air d'entrée (valeur par défaut : 21 °C, modifiable par l'installateur).
- **Summer temp (Temp. estate)**: seuil de température d'entrée d'air en été (valeur par défaut : 26 °C, modifiable par l'installateur). Lorsque le seuil est dépassé, l'appareil passe en « Mode Veille » (sauf en mode Radon) et le message « VENTILATEUR ARRÊTÉ » s'affiche sur l'écran.
- **Winter temp ((Temp. hiver)**: Seuil de température d'entrée en hiver (valeur par défaut 10 °C, modifiable par l'installateur). Lorsqu'un chauffage (accessoire en option) est installé, la valeur seuil « Température hivernale » détermine l'activation et la désactivation du chauffage.

Pour assurer une circulation d'air continue, même si le chauffage n'est pas installé (ou s'il est installé mais en mode OFF), l'unité ne s'arrête jamais, même si la température de l'air d'entrée est inférieure à la valeur définie pour le paramètre « Température hivernale ».

Paramètre configurable	Valeur seuil d'usine	Modifiable par l'installateur	Plage de paramètres
THRESH TEMP** (T. soglia)	21°C	SI	19°C÷24°C
TEMP. ÉTÉ** (T. estiva)	26°C	SI	24°C÷28°C
WINTER TEMP (T. invernale)	10°C	SI	5°C÷15°C

** si l'installateur a défini une valeur de 24 °C pour la température de seuil (« Temp. seuil ») et la température d'été (« Temp. été »), l'unité entrera en mode « Standby » lorsque la température de l'air entrant dépassera 24 °C.

Autres fonctions

- **QUIET** : Bien que le produit soit très silencieux, l'utilisateur peut définir un intervalle de temps pendant lequel le fonctionnement de l'unité en mode « boost » est désactivé afin de ne pas déranger les occupants. L'utilisateur sélectionne un intervalle de temps (de xx:xx à yy:yy) pendant lequel l'unité ne fonctionnera jamais à la vitesse de Boost, que ce soit par sélection manuelle ou automatique (par exemple par l'intervention du capteur C-TEMP).
- **RADON** : Si ce mode est activé, l'appareil ne passe jamais en « Mode Veille », qui est destiné à éliminer le radon ou d'autres polluants dans les combles 24h/24.
- Enregistrement de la durée de fonctionnement de l'unité depuis la première installation (Data-logger).
- Possibilité de raccorder l'appareil à un ou deux interrupteurs muraux (voir fig. 18 / non disponibles pour les versions RF) : un pour sélectionner la vitesse normale ou la vitesse de boost et un pour allumer ou éteindre le chauffage de 500 W s'il est raccordé.

Raccordement aux détecteurs de fumée

Les détecteurs de fumée déjà installés dans l'appartement peuvent être raccordés indirectement à l'appareil (se référer aux schémas de raccordement des figures 18-19). Dans ce type de système, l'appareil s'éteint automatiquement en cas d'incendie.



Remarque : Dans les habitations dont la hauteur de la surface habitable est supérieure à 4,5 m ou qui comptent 3 étages ou plus, l'appareil doit être obligatoirement raccordé à un détecteur de fumée afin de pouvoir être déconnecté en cas d'incendie (se référer aux schémas des figures 18-19).

• VORT PIV QUADRO RF

En plus de toutes les fonctions de la version de base, cette version est également équipée d'un commutateur de radiofréquence permettant de sélectionner les deux vitesses disponibles (Normal / Boost) de l'appareil.



• Chauffage (500 W) - Accessoire en option (code 20.359)

Remarque importante : Le chauffage ne doit pas être considéré comme le système de chauffage principal ou secondaire de la maison. Une fois installé et réglé sur AUTO (voir « Modifier les paramètres » dans la section « Utilisation »), au cours d'un hiver « standard », le chauffage fonctionnera en mode AUTO (ON) pendant une moyenne de 9 à 15 % de la durée totale de fonctionnement de l'appareil.

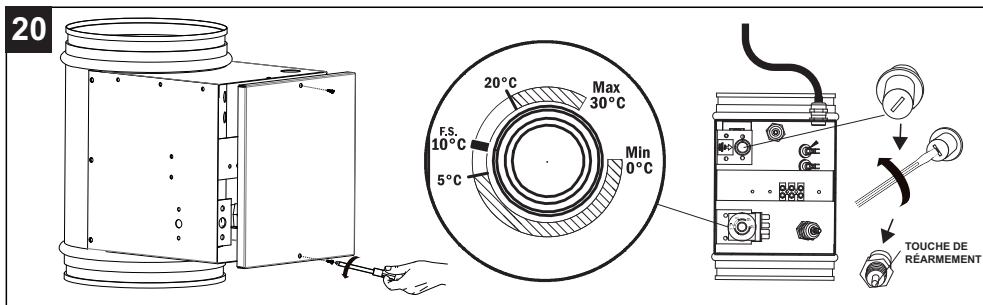
L'électronique de l'appareil ne gère pas la température de sortie d'air, mais la mise en marche et l'arrêt du chauffage. Le chauffage régule la température d'entrée d'air si la température de l'air dans les combles est inférieure à la valeur définie. Un thermostat à bulbe réglable interrompt le fonctionnement du chauffage lorsque la température dépasse une valeur définie en usine ($\approx 10^{\circ}\text{C}$). La valeur définie peut être modifiée dans un intervalle compris entre 5°C et 20°C (la zone en pointillés n'est pas recommandée). Pour accéder au bouton de réglage de la température et modifier le seuil de température prédéfini, retirer le couvercle du chauffage (fig. 20).



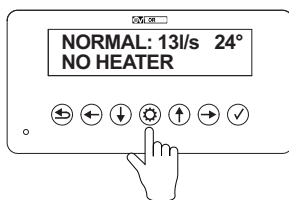
Débrancher l'appareil avant d'ouvrir le couvercle du chauffage.

Le chauffage peut être mis en marche (mode AUTO) ou arrêté à partir de l'écran ou d'un interrupteur en option (non fourni) lorsqu'il est installé. En cas de surchauffe du chauffage (par exemple, en cas de manque de flux d'air dû à une rupture ou à un blocage du ventilateur du moteur), un thermostat de sécurité supplémentaire à réarmement manuel intervient, qui interrompt le fonctionnement du chauffage lorsque la température détectée a dépassé une valeur prédéfinie. Après intervention d'un Service d'assistance agréé VORTICE et résolution des causes de cette surchauffe anormale, le thermostat de sécurité peut être réarmé manuellement en appuyant sur la touche indiquée sur la fig. 20.

REMARQUE: Se référer au manuel spécifique du produit pour une description plus détaillée de toutes les fonctions offertes par l'appareil de chauffage.



Première activation



Première activation (voir « Régler la vitesse » dans la section « Menu configuration »)

Lorsque l'appareil est sous tension, une pression sur n'importe quelle touche active l'écran du panneau de commande (après 30 secondes d'inactivité, l'écran s'éteint en sauvegardant les réglages en cours). L'écran se compose de deux lignes et est contrôlé par un clavier à 7 touches. A partir du menu de l'installateur avec le mot de passe d'accès par défaut '0000', il est possible d'effectuer le réglage initial qui nécessite de sélectionner l'un des 7 ensembles de vitesse Normal+Boost, selon les combinaisons suivantes réglées en usine (conformément à la norme « Building Regulations ») :

Paramètres	Nombre de chambres (voir remarque 1 / remarque 2)	Débit à vitesse normale [l/s] (remarque 3)	Débit en vitesse boost [l/s]	Débit à vitesse normale [m3/h]	Débit en vitesse boost [m3/h]	Consommation électrique (W) (remarque 4)
1	une seule pièce habitable (studio)	13	25	46,8	90	2,9
2	1	19	33	68,4	118,8	3,9
3	2	25	42	90	151,2	5,1
4	3	31	50	111,6	180	6,7
5	4	37	58	133,2	208,8	8,8
6	5	43	70	154,8	252	10,5
7	6	49	74	176,4	266,4	12,8

Remarque 1: Si le logement ne comporte qu'une seule pièce habitable (studio), il convient d'utiliser une vitesse de ventilation minimale de 13 l/s.

Remarque 2: Pour chaque chambre supplémentaire, 6 l/s sont ajoutés à la valeur de la vitesse normale. Par exemple, un débit de 25 l/s doit être fixé pour une maison de deux chambres.

Remarque 3: La valeur de la vitesse normale peut être modifiée par intervalles de 1 l/s. Ces valeurs se rapportent uniquement à la configuration du filtre G4. Lors du remplacement du filtre G4 par le G4+F7 (code 20.371), en raison de l'augmentation de la perte de charge, l'installateur peut ajuster la vitesse de l'air (voir « DÉFINIR VITESSE » dans le « Menu Service ») ou choisir un réglage différent pour obtenir la valeur de débit d'air souhaitée.

Remarque 4: Puissance absorbée à vitesse normale avec le filtre G4 installé. Les valeurs de puissance se réfèrent à l'unité avec un filtre nouvellement installé.

Utilisation

Le tableau de bord de la machine permet d'effectuer les opérations suivantes :

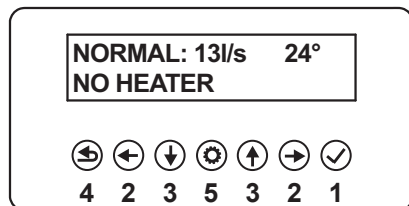
Fonctions accessibles à l'utilisateur

- Affichage et mise à jour de l'heure actuelle.
- Affichage et mise à jour de la vitesse du ventilateur (disponible uniquement lors du passage du mode normal au mode boost).
- Allumer (en mode automatique) ou éteindre le chauffage une fois qu'il est installé.
- Affichage de la durée de fonctionnement depuis la première installation.
- Affichage de la durée totale de fonctionnement du chauffage depuis la première installation.
- Affichage du temps restant avant le remplacement du filtre et possibilité de remise à zéro du compteur du filtre après le remplacement du filtre.

Fonctions de l'installateur (accès par mot de passe)

- L'installateur peut sélectionner la vitesse souhaitée (en fonction de la taille de l'habitation) parmi les 7 vitesses réglées en usine (voir tableau ci-dessus).
- L'installateur peut ajuster la valeur de la vitesse par défaut de -3l/s à +3l/s.
- Active/désactive les modes SILENCE et RADON.
- Définir les valeurs seuils de la température : Température seuil (T seuil), Température d'été (T été), Température d'hiver (T hiver).
- Active/désactive le chauffage lorsqu'il est installé.
- Saisir et modifier le mot de passe pour accéder au menu d'installation et de configuration des paramètres.

Signification des touches sur l'écran



- 1 ENVOI:** - Pour passer en mode « modification ». - Pour enregistrer et quitter le mode « édition ».
- 2 FLECHE DROITE / GAUCHE:** faire défiler les valeurs d'un paramètre (en mode utilisateur « modifier les paramètres » et dans le menu « service » en mode installateur).
- 3 FLECHE HAUT/BAS:** Permet de passer entre la liste des valeurs et la liste des paramètres
- 4 ESC:** sortir sans enregistrer.
- 5 SET:** menu de réglage.

Écran Accueil: mise sous tension e l'appareil.

NORMAL: 13l/s 24°
NO HEATER



Paramètres d'affichage

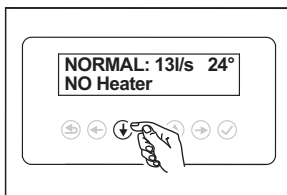
Écran Accueil : VITESSE ACTUELLE, T°C, ÉTAT DU CHAUFFAGE

Cet écran affiche:

Sur la première ligne:

- Vitesse normale ou boost sélectionnée et débit d'air correspondant (l/s). Se référer à la section « DÉFINIR VITESSE » du « Menu Configuration » pour régler la valeur de la vitesse souhaitée.
- température réelle dans les combles.
- Signale « VENTILATEUR ARRÊTÉ » lorsque l'appareil passe en mode Veille (se référer à « Fonctionnement automatique » dans la section « Fonctionnement » pour vérifier les conditions dans lesquelles l'appareil passe en mode Veille).

Sur la deuxième ligne: état du chauffage [NO Heater, Heater OFF, Heater AUTO (OFF), Heater AUTO (ON)]. Voir la section « Chauffage » dans le menu « Modifier les paramètres ».

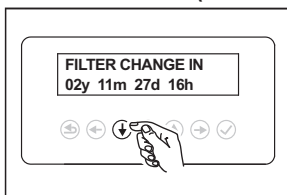


FILTER CHANGE IN (CHANGEMENT DU FILTRE DANS)

Appuyer une fois sur la flèche vers le bas pour afficher le temps restant avant le remplacement du filtre.

Cet écran affiche le temps restant avant le retrait du filtre, exprimé en années/mois/jours/heures.

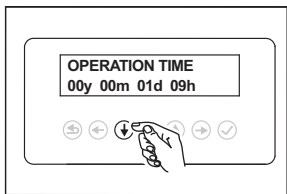
Cet écran affiche le temps restant avant le retrait du filtre, exprimé en années/mois/jours/heures. La durée de vie du filtre est de 7 ans si la vitesse normale est de 13 l/s (voir la section « Maintenance »). La minuterie se réinitialise automatiquement lorsque le filtre est remplacé.



OPERATION TIME (DURÉE DE FONCTIONNEMENT) - Data Logger

Appuyer une fois sur la flèche vers le bas pour afficher l'écran « Durée de fonctionnement ».

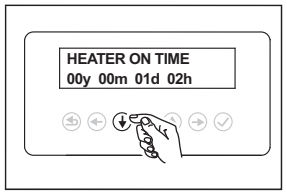
Cet écran affiche la durée de fonctionnement de l'appareil depuis la première installation, exprimée en années/mois/jours/heures.



HEATER ON TIME (DURÉE DE FONCTIONNEMENT CHAUFFAGE)

Appuyer une fois sur la flèche vers le bas pour afficher l'écran « Durée de fonctionnement chauffage ».

Cet écran affiche la durée totale de fonctionnement du chauffage depuis la première installation, exprimée en années/mois/jours/heures.

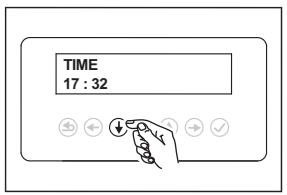


HEURE

Appuyer une fois sur la flèche vers le bas pour afficher l'heure actuelle.

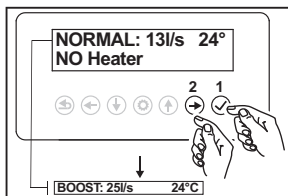
Appuyer à nouveau sur la flèche vers le bas pour revenir à l'écran de vitesse/chauffage.

La flèche vers le haut permet de passer d'un écran à l'autre.

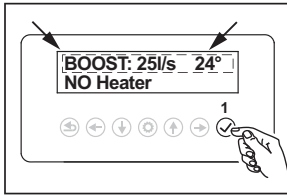


Modification des paramètres

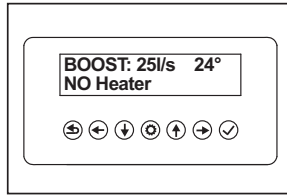
SÉLECTION DE LA VITESSE (NORMALE/BOOST)



Entrer dans le menu d'édition en appuyant sur la touche ✓ (1) puis sélectionner la vitesse BOOST en appuyant sur la touche ' (2).



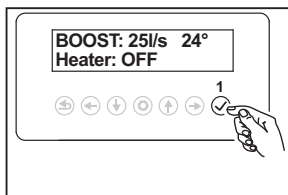
Sauvegarder et quitter en appuyant sur ✓ (1).



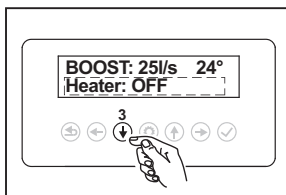
Remarque: Pour sélectionner à nouveau la vitesse NORMALE, répéter la même séquence d'étapes.

RÉCHAUFF.

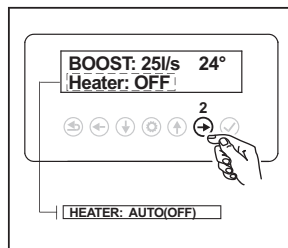
L'appareil est fourni sans chauffage électrique (l'écran affiche « NO HEATER » par défaut). Un chauffage de 500 W est disponible en tant qu'accessoire et, une fois installé, le mode de chauffage doit être réglé sur « OUI » dans le menu de service (se référer à « RÉGLAGE DU MODE DE CHAUFFAGE » dans « menu de service »).



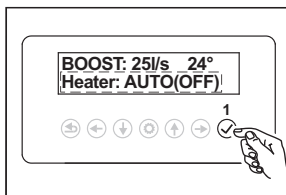
Appuyer sur ✓ (1) pour accéder au mode édition.



Appuyer sur la touche ↓ (1) enregistrer et quitter le mode édition..



Appuyer sur la touche →(2) pour sélectionner Chauffage : Auto(off)



Appuyer sur la touche ✓ (1) enregistrer et quitter le mode édition.

Sélection du réglage souhaité:

Chauffage : OFF le chauffage est éteint.

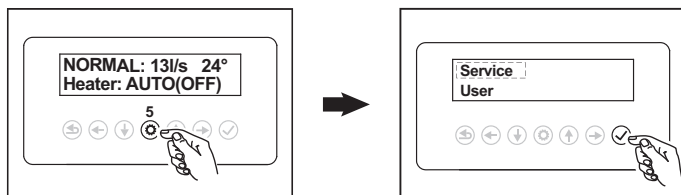
Chauffage : AUTO(OFF) / AUTO(ON), le chauffage s'allume ou s'éteint automatiquement en fonction des paramètres de température définis.

SERVICE MENU (MENU DI SERVIZIO)

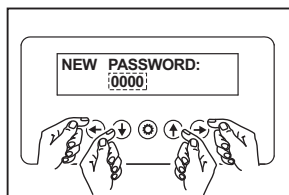
Pour mettre l'appareil en service, il faut accéder au menu de service. Un mot de passe doit être saisi pour accéder à ce menu. S'il s'agit d'une nouvelle installation, le mot de passe par défaut est 0000.

Voici la liste des fonctions accessibles à partir du menu de service :

- Set speed (définir la vitesse)
- Speed adjust (réglage de la vitesse)
- Set Quiet mode (régler le mode Silence)
- Set Radon mode (régler le mode Radon)
- Set heater mode (régler le mode chauffage)
- Heater Test (Test du chauffage)
- Set thresh temp (régler la température de seuil)
- Set winter temp (régler la température hivernale)
- Set summer temp (régler la température estivale)
- Reset filter (Réinitialiser le filtre)
- Change password (Modifier le mot de passe)
- Set Time (régler l'heure)



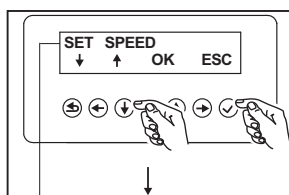
Pour accéder aux fonctions du menu de service, appuyer sur touche (5). Puis appuyer sur la touche .



Utiliser les touches et pour régler le premier chiffre du mot de passe. Lorsque le numéro souhaité est atteint, appuyer sur la touche pour passer au chiffre suivant et utiliser les touches et pour sélectionner le numéro souhaité. Répéter l'opération avec les quatre chiffres du mot de passe.

Appuyer sur pour confirmer la sélection et accéder à l'écran du menu de service.

Lors de la première installation, le mot de passe à utiliser est le suivant: 0000.

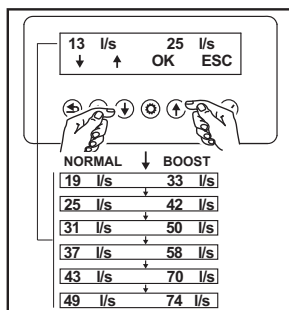


Menu de service.

Utiliser les touches et pour faire défiler les différentes fonctions disponibles, appuyer sur la touche pour accéder à la fonction souhaitée.

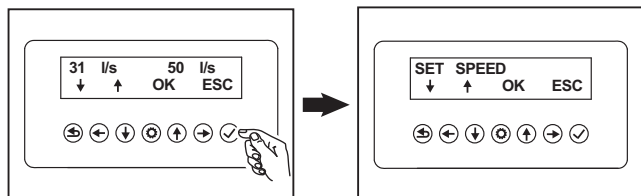
- ↓ SPEED ADJUST
- ↓ SET QUIET MODE
- ↓ SET RADON MODE
- ↓ SET HEATER MODE
- ↓ HEATER TEST
- ↓ SET THRESH. TEMP.
- ↓ SET WINTER TEMP.
- ↓ SET SUMMER TEMP.
- ↓ RESET FILTER
- ↓ CHANGE PASSWORD
- ↓ SET TIME

SET SPEED (DÉFINIR LA VITESSE)



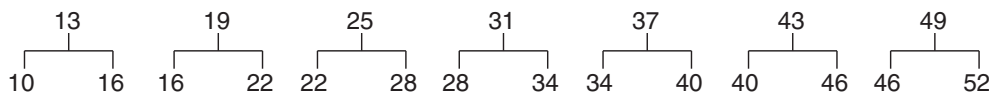
Utilisez les touches et pour faire défiler les différents réglages de vitesse disponibles, appuyer sur la touche pour confirmer la sélection et revenir à l'écran du menu de service.

Appuyer deux fois sur la touche (4) pour revenir à l'écran principal.

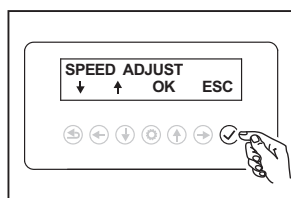


SPEED ADJUST (RÉGLAGE DE LA VITESSE)

La vitesse normale (définie) peut être réglée entre +3l/s et -3l/s.

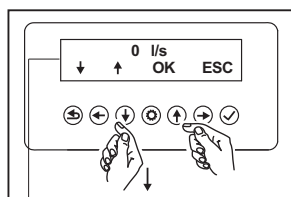


Remarque: Le réglage de la vitesse normale modifie la valeur de la vitesse d'accélération correspondante en conséquence, avec la même incrémentation/décrémentation.

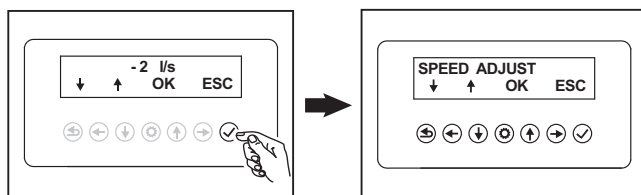
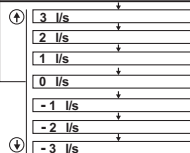


Menu de service

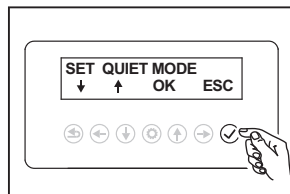
Utiliser les touches \downarrow et \uparrow pour faire défiler les différentes fonctions disponibles, appuyer sur la touche \checkmark pour accéder à la fonction souhaitée (RÉGLAGE DE LA VITESSE).



Utiliser les touches \downarrow et \uparrow pour régler la vitesse, appuyer sur la touche \checkmark pour confirmer la sélection et revenir au menu de service. Appuyer deux fois sur la touche \leftarrow (4) pour revenir à l'écran principal..

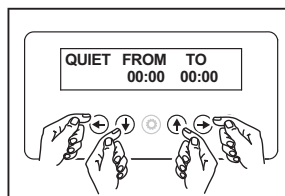


SET QUIET MODE (RÉGLER LE MODE SILENCE)

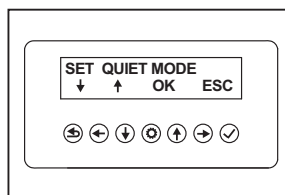
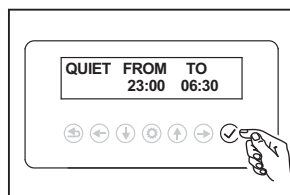


Menu de service

Utiliser les touches ↓ et ↑ pour faire défiler les différentes fonctions disponibles, appuyer sur la touche ✓ pour accéder à la fonction souhaitée (RÉGLER LE MODE SILENCE)..

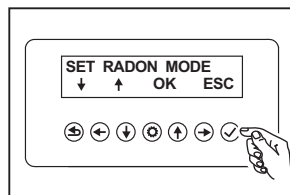


Utiliser les touches ↓ & ↑ pour régler l'heure de début. du mode Silence. Appuyer sur → pour passer au champ des minutes et utiliser les touches ↓ et ↑ pour sélectionner les minutes. Appuyer sur la touche → pour passer au champ de sélection de l'heure de fin du mode silence et utiliser les boutons ↓ et ↑ pour sélectionner l'heure souhaitée. Appuyer à nouveau sur → pour passer à la sélection des minutes et utiliser les touches ↓ et ↑ pour régler les minutes.



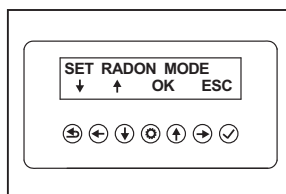
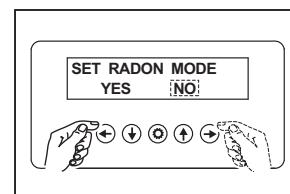
Appuyer sur ✓ pour confirmer la sélection et revenir au menu de service. Appuyer deux fois sur la touche ↵ (4) pour revenir à l'écran principal.

SET RADON MODE (RÉGLER LE MODE RADON)



Menu de service.

Utiliser les touches ↓ et ↑ pour faire défiler les fonctions disponibles, appuyer sur la touche ✓ pour accéder à la fonction requise (RÉGLER LE MODE RADON).

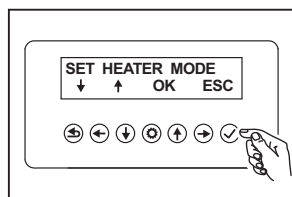


Utiliser les touches ↓ et ↑ pour sélectionner OUI ou NON. La valeur par défaut est : NON.

Appuyer sur la touche ✓ key pour confirmer la sélection et revenir au menu de service. Appuyer deux fois sur la touche ↵ (4) pour revenir à l'écran principal..

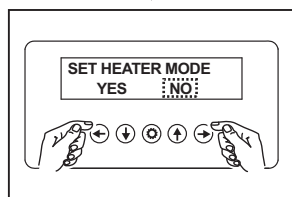
SET HEATER MODE (RÉGLER LE MODE CHAUFFAGE)

Lorsque le chauffage est installé, le mode chauffage (SET HEATER MODE) doit être réglé sur OUI pour activer le fonctionnement du chauffage.



Menu de service

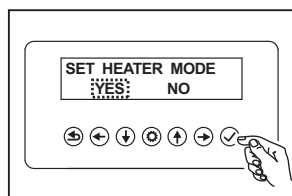
Utiliser les touches ↓ et ↑ pour faire défiler les différentes fonctions, appuyer sur la touche ✓ pour accéder à la fonction souhaitée (RÉGLER LE MODE CHAUFFAGE).



Utiliser les touches ← et → pour sélectionner OUI ou NON. « NO » est la valeur par défaut.

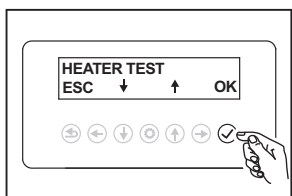
Appuyer sur la touche ✓ pour confirmer la sélection et revenir à l'écran du menu de service.

Appuyer deux fois sur la touche ↵ (4) dpour revenir à l'écran principal.

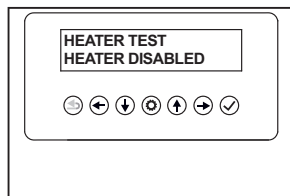


HEATER TEST (TEST DU CHAUFFAGE)

La fonction RÉGLER LE TEST DU CHAUFFAGE permet de vérifier le bon fonctionnement du chauffage. L'appareil s'allume pendant 10 secondes, puis revient à l'état précédemment réglé (voir le paragraphe « CHAUFFAGE » dans la section « Modification des paramètres »).

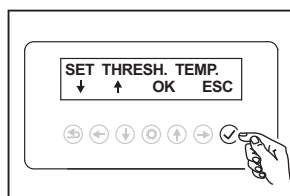


Utiliser les touches ↓ et ↑ pour faire défiler la liste des différentes fonctions disponibles, appuyer sur la touche ✓ pour accéder à la fonction souhaitée (RÉGLER LE TEST CHAUFFAGE).



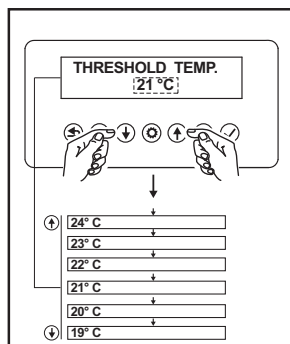
Si le mode chauffage (RÉGLER LE MODE CHAUFFAGE) est réglé sur NON, l'écran affiche « CHAUFFAGE DÉSACTIVÉ » puis revient à l'écran TEST DU CHAUFFAGE. Si le chauffage est installé, se référer à la section « RÉGLER LE MODE CHAUFFAGE ».

SET THRESH. TEMP (RÉGLAGE DU SEUIL DE TEMPÉRATURE)

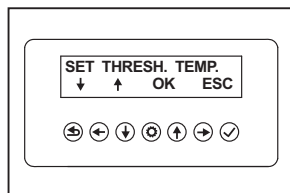


Menu de service.

Utiliser les touches ↓ et ↑ pour faire défiler la liste des fonctions disponibles, appuyer sur la touche ✓ pour accéder à la fonction souhaitée (RÉGLAGE DU SEUIL DE TEMPÉRATURE).



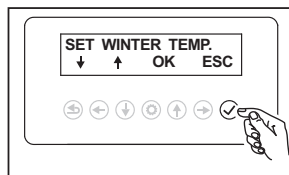
Utiliser les touches ↓ et ↑ pour modifier la valeur de la température définie entre 19 °C et 24 °C, appuyer sur la touche ✓ pour confirmer la sélection et revenir au menu de service. Appuyer deux fois sur la touche ↵ (4) pour revenir à l'écran principal. 21 °C est la valeur définie par défaut.



SET WINTER TEMP (RÉGLER LA TEMPÉRATURE HIVERNALE)

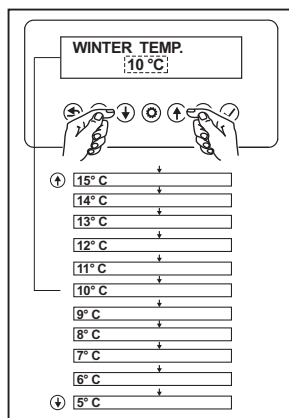
La valeur seuil de température HIVERNALE (WINTER TEMP) contrôle l'activation ou la désactivation du chauffage. Lorsque la température de l'air des combles est inférieure à la valeur réglée, le chauffage se met en marche. Lorsque la température de l'air dans les combles dépasse la valeur réglée, le chauffage s'éteint. La valeur de la température hivernale peut être réglée entre 5 °C et 15 °C, 10 °C étant le réglage par défaut.

IMPORTANT : Après l'installation du chauffage, le mode chauffage (voir la section « RÉGLER LE MODE CHAUFFAGE ») doit être activé en réglant le paramètre sur « OUI » et le chauffage doit être réglé sur le mode automatique (se référer au paragraphe « MODE CHAUFFAGE » dans la section « Modifier les paramètres »).

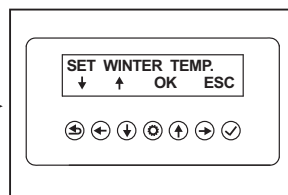


Menu de service.

Utiliser les touches ↓ et ↑ pour faire défiler les fonctions disponibles, appuyer sur la touche ✓ pour accéder à la fonction requise (RÉGLER LE TEMP WINTER).

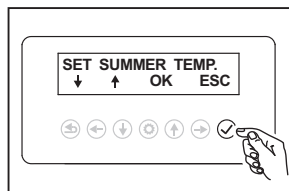


Utiliser les touches ↓ et ↑ pour choisir la valeur souhaitée dans l'intervalle entre 5 °C et 15 °C, appuyer sur la touche ✓ pour confirmer la sélection et revenir à l'écran du menu de service. Appuyer deux fois sur la touche ⬅ (4) pour revenir à l'écran principal. 10 °C est le paramètre par défaut.



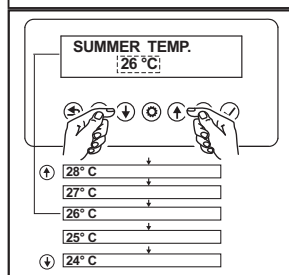
SET SUMMER TEMP (RÉGLER LA TEMPÉRATURE ESTIVALE)

La valeur de seuil de la température estivale (SUMMER TEMP) représente la valeur à laquelle (si elle est égale ou dépassée) l'unité PIV entre en mode veille jusqu'à ce que la température de l'air dans les combles soit inférieure à la valeur seuil programmée. La plage de température sélectionnable s'étend de 24 °C à 28 °C, 26 °C étant la valeur par défaut.



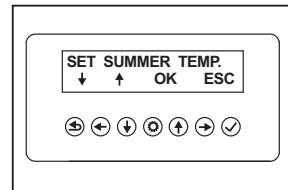
Menu de service.

Utiliser les touches ↓ et ↑ pour faire défiler les différentes fonctions disponibles, appuyer sur la touche ✓ pour accéder à la fonction requise (RÉGLER LE TEMP SUMMER).

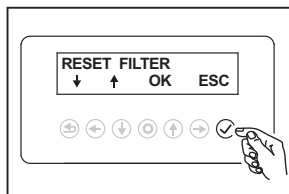


Utiliser les touches ↓ et ↑ pour modifier la valeur définie de la température estivale entre 24 °C et 28 °C, appuyer sur la touche ✓ pour confirmer la sélection et revenir au menu de service.

Appuyer deux fois sur la touche ⬅ (4) pour revenir à l'écran principal. 26 °C est la valeur définie par défaut.

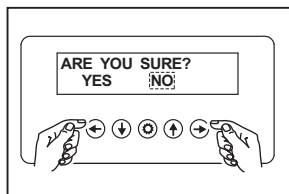


RESET FILTER (RÉINITIALISER LE FILTRE)

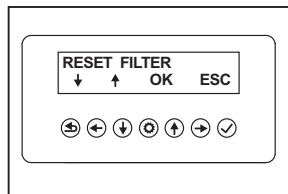


Menu de service.

Utiliser les touches ↓ et ↑ pour faire défiler la liste des fonctions disponibles, appuyer sur la touche ✓ pour accéder à la fonction souhaitée (RÉINITIALISER LE FILTRE).

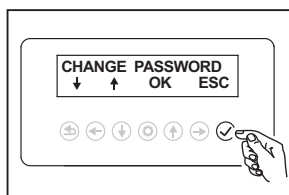


Utiliser les touches ← et → pour sélectionner OUI ou NON. NON est la valeur d'usine. En sélectionnant OUI, le compteur est remis à zéro. Appuyer sur la touche ✓ pour confirmer la sélection et revenir au menu de service. Appuyer deux fois sur la touche ⏪ (4) pour revenir à l'écran principal.



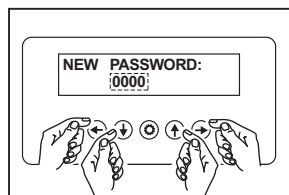
Remarque: Se référer à la section « Maintenance » pour connaître l'intervalle recommandé pour le remplacement du filtre.

CHANGE PASSWORD (MODIFIER LE MOT DE PASSE)

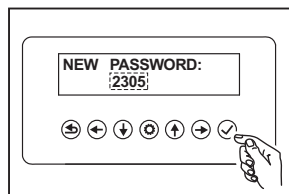


Menu de service.

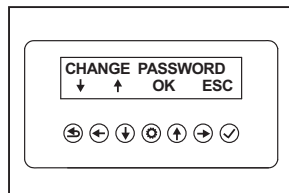
Utiliser les touches ↓ et ↑ pour faire défiler la liste des fonctions, appuyer sur la touche ✓ pour accéder à la fonction souhaitée (MODIFIER LE MOT DE PASSE).



Utiliser les touches ↓ et ↑ pour sélectionner les chiffres du mot de passe. Lorsque le chiffre souhaité est atteint, appuyer sur la touche → pour passer au chiffre suivant et utiliser les touches ↓ et ↑ pour régler le chiffre souhaité. Répéter ce processus jusqu'à ce que les quatre chiffres aient été sélectionnés.



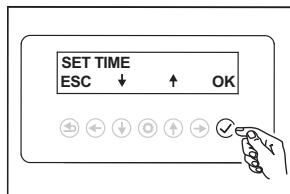
Appuyer sur la touche ✓ pour confirmer la sélection et revenir au menu de service. Appuyer sur la touche ⏪ (4) pour revenir à l'écran principal.



Important Noter le mot de passe défini.

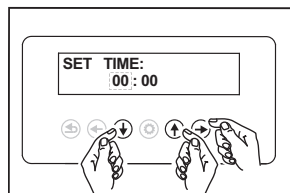
En cas de perte du mot de passe, contacter votre revendeur VORTICE pour recevoir un mot de passe permettant de se connecter.

SET TIME (RÉGLER L'HEURE)

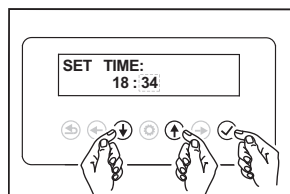


Menu de service.

Appuyer sur les touches ↓ et ↑ pour faire défiler la liste des fonctions disponibles, appuyer sur la touche ✓ pour accéder à la fonction souhaitée (RÉGLER L'HEURE).



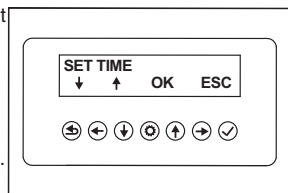
Utiliser les touches ↓ et ↑ pour sélectionner l'heure. Puis appuyer sur → pour passer au champ des minutes et utiliser les touches ↓ et ↑ pour régler les minutes.



Appuyer sur ✓ pour confirmer la sélection et revenir à l'écran du menu de service.

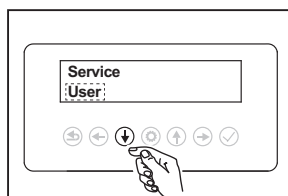
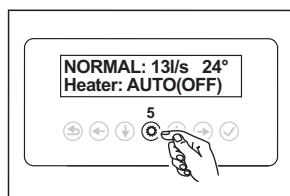
Appuyer deux fois sur la touche ⏪ (4) pour revenir à l'écran principal

Remarque : l'heure est au format 24 heures.

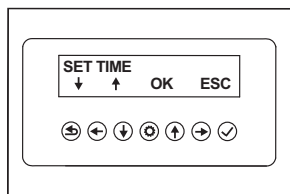
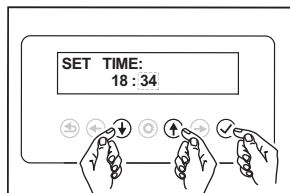
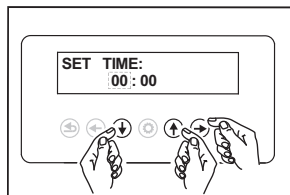


USER MENU (MENU UTILISATEUR)

La seule fonction utilisateur qui peut être réglée est l'heure. Elle n'est pas protégée par un mot de passe



Pour accéder aux fonctions utilisateur, appuyer sur ⚙ (5), appuyer sur ↓ pour sélectionner « Utilisateur », puis appuyer sur ✓.



Utiliser les touches ↓ et ↑ pour sélectionner l'heure.
 Puis appuyer sur → pour passer au champ des minutes et utiliser les touches ↓ et ↑ pour régler les minutes.
 Appuyer sur ✓ pour confirmer la sélection et revenir à l'écran du menu de service.
 Appuyer deux fois sur la touche ⏪ (4) pour revenir à l'écran principal.
 Remarque : l'heure est au format 24 heures.

Entretien

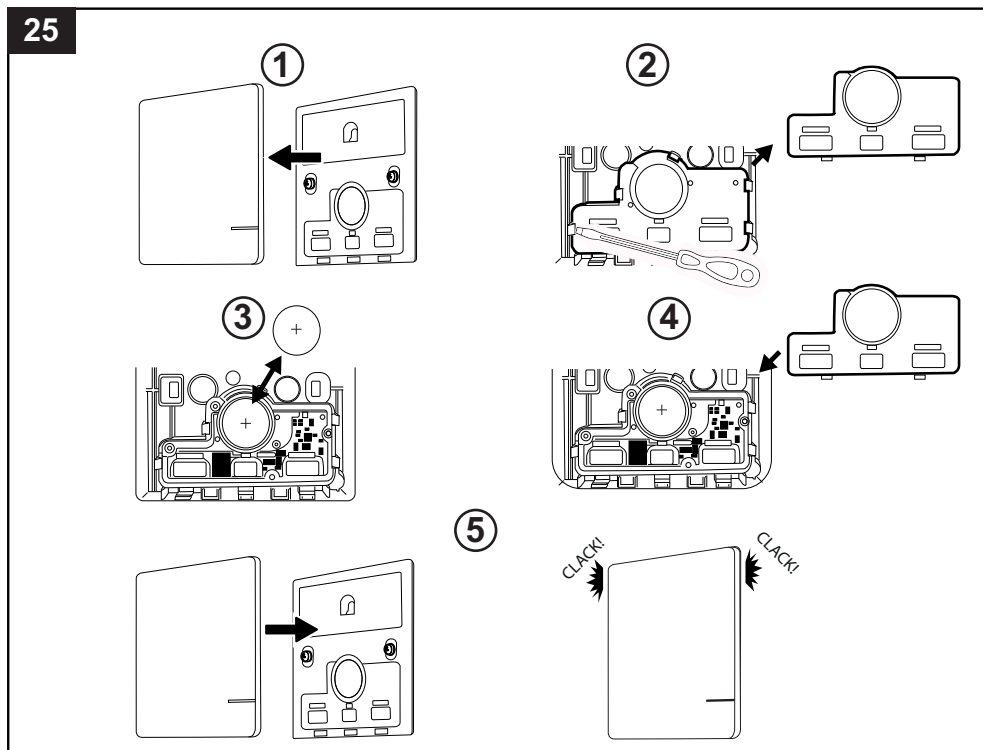
L'appareil ne nécessite pas d'entretien particulier autre que le nettoyage général périodique et le remplacement du filtre. Se référer au tableau suivant pour connaître l'intervalle recommandé pour le remplacement du filtre.

Paramètres	Intervalle maximal de remplacement du filtre (G4) (à vitesse normale) [Années]**
1	7
2	7
3	6
4	6
5	5
6	5
7	4

**L'intervalle de remplacement du filtre est purement indicatif et dépend des conditions de pollution ambiantes et de l'utilisation du mode Boost.

Retrait de la pile (modèles RF)

- 1) Retirer le panneau du couvercle de l'interrupteur à la main ou à l'aide d'un tournevis.
- 2) Retirer le couvercle de la batterie à l'aide d'un tournevis à tête plate.
- 3) Retirer le couvercle en plastique et remplacer l'ancienne pile par la nouvelle.
- 4) Remettre le couvercle de la batterie en place.
- 5) Installer à nouveau le panneau de recouvrement de l'interrupteur.



Résolution des problèmes

Anomalie	Cause possible	Vérification / intervention
Dans le cas d'une installation avec un kit de fixation en option, l'appareil vibre pendant le fonctionnement	Les éléments anti-vibration n'ont pas été installés ou l'ont été de manière non conforme aux consignes de ce livret.	Vérifier que l'installation de l'anti-vibration a été effectuée correctement.

Anomalie	Cause possible	Vérification / intervention
L'interrupteur RF externe (uniquement les modèles VORT PIV QUADRO RF) ne fonctionne pas	Batterie de l'interrupteur RF faible (si l'on clique sur le bouton de l'interrupteur, la LED bleue ne clignote pas)	1) Procéder au remplacement de la batterie.
	Défaillance de la transmission des signaux de radiofréquence	2) Vérifier que l'interrupteur RF n'a pas été installé à une distance du récepteur qui empêche la transmission du signal. 3) Vérifier qu'aucun matériau isolant n'entrave la transmission du signal entre l'interrupteur et le récepteur sur la machine. 4) Vérifier qu'il n'y a pas de perturbations électromagnétiques dans l'environnement qui interfèrent avec le signal de radiofréquence. 5) Vérifier que l'interrupteur RF ne soit pas installé sur une surface métallique. 6) Vérifier que l'appareil n'a pas été installé dans une cage métallique, car il serait isolé et le signal de radiofréquence n'atteindrait pas le récepteur.
	Endommagement des composants (émetteur ou récepteur sur la machine)	7) Contacter un Service d'assistance agréé VORTICE et demander le remplacement des composants uniquement après avoir effectué toutes les vérifications de 1) à 6).
Le chauffage ne fonctionne pas	La température de l'air aspiré est supérieure à la valeur réglée pour la « température hivernale » ou n'est pas détecté / déclenchement du thermostat automatique ou de sécurité de l'appareil de chauffage	1) Vérifier la valeur seuil définie pour « température hivernale » dans le menu « Service ». 2) Le thermostat de l'appareil de chauffage s'est peut-être déclenché (la température dans les combles est supérieure à la valeur prédéfinie - voir fig. 24). 3) Vérifier si le thermostat de sécurité à réarmement manuel du chauffage s'est déclenché. Dans ce cas, s'adresser à un Service d'assistance agréé VORTICE avant de procéder au réarmement du thermostat (fig. 24). 4) Sonde de température endommagée : contacter un Service d'assistance agréé VORTICE.
Entrée d'air trop chaude dans l'habitation	Surchauffe de la résistance de chauffage alors que le ventilateur fonctionne toujours	Détérioration possible des thermostats de l'appareil : débrancher l'alimentation électrique de l'habitation et de l'appareil et contacter un Service d'assistance agréé VORTICE.
Interruption du flux d'air	Une rupture ou un blocage du ventilateur du moteur peut s'être produit.	1) Débrancher l'appareil de l'alimentation électrique. 2) Faire vérifier les schémas de raccordement de l'appareil par un technicien spécialisé. 3) Rupture du fusible. Contacter un Service d'assistance agréé VORTICE. 4) Blocage ou rupture du ventilateur du moteur. Contacter un Service d'assistance agréé VORTICE.
Réduction du débit d'air dans la pièce ou bruit excessif	Installation incorrecte du diffuseur de l'unité PIV ou des composants du système	Vérifiez que l'unité PIV a été installée conformément aux instructions de ce livret.
	Obstruction éventuelle due au fait que le filtre n'a pas été nettoyé ou remplacé dans les délais recommandés (voir la section « Entretien »)	1) Vérifiez que le filtre est correctement installé et qu'il n'y a pas de matériaux encombrants dans les combles qui recouvrent la zone du filtre. 2) Vérifier la propreté du filtre installé et le remplacer si nécessaire.
Écran éteint lorsque l'unité de ventilation fonctionne	Écran cassé sur l'unité VORT PIV QUADRO /RF installée dans des combles.	Contacter un Service d'assistance agréé VORTICE.

Élimination

Ce produit est conforme à la Directive 2012/19/UE relative à la gestion des déchets des équipements électriques et électroniques (DEEE).

Le symbole de la poubelle barrée qui se trouve sur l'appareil indique que le produit, à la fin de sa vie utile, devant être traité séparément des déchets domestiques, doit être remis dans un centre de tri sélectif pour les équipements électriques et électroniques. Cela évitera les effets négatifs sur l'environnement et la santé, en favorisant le traitement correct, l'élimination et le recyclage des matériaux dont est composé le produit.



S'adresser à l'autorité communale pour connaître l'emplacement de ce type de structure. Comme alternative, le distributeur est tenu au retrait gratuit d'un équipement à éliminer lors de l'achat d'un équipement équivalent.



Points de collecte sur www.quefairedemesdechets.fr
Privilégiez la réparation ou le don de votre appareil !

1 DIRITTI DEI CONSUMATORI

- 1.1 Il consumatore dispone per legge, a titolo gratuito, di rimedi per i difetti di conformità dei prodotti nei confronti del venditore che non sono pregiudicati dalla presente garanzia convenzionale aggiuntiva del produttore.
- 1.2 La presente garanzia convenzionale offerta da VORTICE S.p.A., con sede in Strada Cerca 2, Frazione di Zoate, 20067 Tribiano (MI), non pregiudica, pertanto, i diritti dei consumatori che sono previsti dalla Direttiva (UE) 2019/771 (c.d. "direttiva garanzia") e dalla relativa legislazione nazionale di attuazione e recepimento nei paesi membri della UE (in Italia v. Codice del Consumo D.lgs. 206/2005).

2 DURATA DELLA GARANZIA CONVENZIONALE

- 2.1 VORTICE S.p.A. offre la presente garanzia convenzionale su tutti i propri prodotti per un periodo di 2 anni.
- 2.2 Per i soli prodotti appartenenti alle famiglie Nordik HVLS e Nordik PIVOT, la garanzia convenzionale offerta da VORTICE S.p.A. ha una durata di 5 anni per le parti meccaniche ed il motore e di 3 anni per l'inverter.
- 2.3 La garanzia convenzionale decorre, in tutti i casi previsti, dalla data di acquisto dei prodotti che deve essere comprovata dall'acquirente per mezzo di idoneo documento fiscale rilasciato dal venditore (scontrino o fattura), che deve indicare la data di acquisto ed il modello di prodotto acquistato.

3 CONDIZIONI DELLA GARANZIA CONVENZIONALE - ESCLUSIONI

- 3.1 Nel periodo di garanzia previsto, VORTICE S.p.A. si impegna, attraverso la propria rete di assistenza e dopo aver effettuato le opportune valutazioni tecniche, a riparare o a sostituire il prodotto o le parti del prodotto stesso che risultino affette da difetti originari di fabbricazione. I rimedi della sostituzione o della riparazione sono posti in essere senza spese per il soggetto qualificabile come Consumatore a norma di legge.
- 3.2 Sono esclusi dalla garanzia convenzionale tutti i difetti e/o i guasti derivanti da:
 - a. normale usura del prodotto o dei componenti del prodotto medesimo.
 - b. utilizzo non corretto o improprio del prodotto, in difformità rispetto alle istruzioni ed alle avvertenze fornite da VORTICE S.p.A. unitamente al prodotto medesimo.
 - c. installazione del prodotto in difformità rispetto alle istruzioni fornite da VORTICE S.p.A. o comunque in difformità rispetto alla regola dell'arte vigente in materia di installazione di prodotti elettrici.
 - d. errato allacciamento alla rete di alimentazione elettrica o da tensione di alimentazione diversa da quella prevista per l'apparecchio, ovvero diversa dal limite stabilito dalla norma CEI (+/- 10% del valore nominale).
 - e. manutenzione errata e/o carente e/o effettuata in difformità rispetto alle istruzioni fornite da VORTICE S.p.A.
 - f. manutenzione e/o altri interventi effettuati da personale non abilitato o da soggetti non autorizzati da VORTICE S.p.A.
 - g. guasti derivanti da errate condizioni di trasporto o di magazzinaggio del prodotto non imputabili a VORTICE S.p.A.
 - h. modifica del prodotto da parte di soggetto diverso da VORTICE S.p.A. o non espressamente autorizzato per iscritto da quest'ultimo.

4 PROCEDURA DI VALIDAZIONE DELLA GARANZIA CONVENZIONALE - INTERVENTI

- 4.1 Per fare valere la garanzia convenzionale il consumatore dovrà inviare il documento fiscale comprovante la data di acquisto unitamente alla presente pagina, contenente l'indicazione del numero di matricola del prodotto, agli indirizzi indicati nel successivo paragrafo 4.2.
- 4.2 Modalità di esecuzione degli interventi e indirizzi e-mail di contatto:
 - per prodotti ATEX: gli interventi saranno eseguiti presso la sede di VORTICE S.p.A. Scrivere una e-mail all'indirizzo postvendita@vortice.it o contattare il numero 02906991.
 - per i prodotti Climatizzazione: gli interventi saranno eseguiti presso il domicilio del cliente per i prodotti che necessitano di installazione e per quelli che non sono facilmente trasportabili, oppure in tutti gli altri casi presso uno dei Centri di Assistenza Tecnica autorizzati da VORTICE S.p.A. Scrivere una e-mail all'indirizzo postvendita@vortice.it o contattare il numero 02906991.
 - per tutti gli altri prodotti: gli interventi saranno eseguiti presso uno dei Centri di Assistenza Tecnica autorizzati da VORTICE S.p.A., identificabili contattando il numero verde 800.555.777.

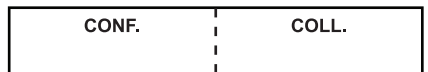
La prestazione eseguita in garanzia non prolunga il periodo di validità della garanzia stessa. Pertanto, in caso di sostituzione del prodotto o di un suo componente, sul bene o sul singolo componente fornito in sostituzione non decorre un nuovo periodo di garanzia a partire dal momento dell'effettuazione dell'intervento, in quanto si deve tener conto esclusivamente della data di acquisto del prodotto originario.

5 ESTENSIONE TERRITORIALE

La presente garanzia è valida su tutto il territorio italiano.

WARRANTY - OTHER COUNTRIES

The consumer has by law, free of charge, the legal guarantee of conformity with the seller, as described in Directive (EU) 2019/771 in force since January 1, 2022. In EU member countries also refer to local regulations.



PAÍSES DE AMÉRICA LATINA - GARANTÍA ESTÁNDAR VORTICE LATAM S.A.

1 DERECHOS DEL CONSUMIDOR

- 1.1 El consumidor dispone por ley, de forma gratuita, recursos por la falta de conformidad de los productos frente al vendedor que no se ven afectados por esta garantía estándar adicional del fabricante.

2 DURACIÓN DE LA GARANTÍA ESTÁNDAR

- 2.1 VORTICE LATAM S.A. ofrece esta garantía estándar por un período de 2 años.
- 2.2 Para productos de las familias Nordik HVLS y Nordik PIVOT, la garantía estándar ofrecida por VORTICE LATAM S.A. tiene una duración de 5 años para las partes mecánicas y motor y de 3 años para el inversor.
- 2.3 La garantía estándar comienza, en todos los casos previstos, a partir de la fecha de compra de los productos que deberá ser acreditada por el comprador mediante un documento fiscal emitido por el vendedor (recibo o factura), que debe indicar la fecha de compra y el modelo del producto adquirido.

3 CONDICIONES DE LA GARANTÍA ESTÁNDAR - EXCLUSIONES

- 3.1 Durante el período de garantía, VORTICE LATAM S.A. se compromete, a través de su red de asistencia y previa realización de las oportunas valoraciones técnicas, a reparar o reemplazar el producto o partes del producto que estén afectadas por defectos de fabricación originales. La sustitución o las reparaciones se realizan sin costo adicional para la persona calificada como consumidor según la ley.
- 3.2 Quedan excluidos de la garantía estándar todos los defectos y/o fallas derivados de:
- desgaste normal del producto o de sus componentes.
 - uso incorrecto o inadecuado del producto, contrario a las instrucciones y advertencias proporcionadas por VORTICE LATAM S.A. junto con el producto mismo.
 - instalación del producto no conforme a las instrucciones proporcionadas por VORTICE LATAM S.A. o en cualquier caso no conforme a la normativa vigente en instalación de productos eléctricos.
 - conexión incorrecta a la red de alimentación eléctrica o a una tensión de alimentación diferente de la prevista para el equipo.
 - mantenimiento incorrecto y/o deficiente y/o realizado de forma contraria a las instrucciones proporcionadas por VORTICE LATAM S.A.
 - mantenimiento y/u otras intervenciones realizadas por personal no autorizado por VORTICE LATAM S.A.
 - fallas derivadas de condiciones incorrectas de transporte o almacenamiento del producto no imputables a VORTICE LATAM S.A.
 - modificación del producto por persona ajena a VORTICE S.p.A. o no autorizada expresamente por escrito por éste.

4 PROCEDIMIENTO DE VALIDACIÓN DE LA GARANTÍA ESTÁNDAR – REPARACIONES

- 4.1 Para hacer efectiva la garantía estándar, el consumidor deberá enviar el documento fiscal que acredite la fecha de compra junto con esta hoja a VORTICE LATAM S.A., indicando el número de serie del producto.
- 4.2 Las intervenciones se realizarán en uno de los Centros de Asistencia Técnica autorizados por VORTICE LATAM S.A. El servicio realizado bajo garantía no extiende el período de validez de la garantía. Por lo tanto, en caso de sustitución del producto o de uno de sus componentes, no se inicia un nuevo período de garantía sobre el bien o sobre el componente individual suministrado como sustitución a partir del momento en que se realiza la intervención, ya que sólo debe indicarse la fecha teniendo en cuenta la compra del producto original. Procedimiento para la realización de las intervenciones y direcciones de correo electrónico de contacto:
- para productos ATEX: las reparaciones se realizarán en la sede de VORTICE LATAM S.A. Escriba un email al correo info@vortice-latam.com o comuníquese al número + (506) 87346996.
 - para los productos que requieren instalación y para los que no son fácilmente transportables las reparaciones se realizarán en el domicilio del cliente. Escriba un email a info@vortice-latam.com o comuníquese al número + (506) 87346996.
 - Para todos los demás productos: las reparaciones se realizarán en uno de los Centros de Asistencia Técnica Autorizado por VORTICE LATAM S.A. identificable comunicándose con el número + (506) 87346996.

5 EXTENSIÓN TERRITORIAL

Esta garantía es válida en todos los países de América Latina donde se vende este producto.

GARANTÍA - OTROS PAÍSES

El consumidor tiene por ley, de forma gratuita, la garantía legal de conformidad con el vendedor, tal y como se describe en la Directiva (UE) 2019/771 en vigor desde el 1 de enero de 2022. En los países miembros de la UE también consulte las normativas locales.



VORTICE S.p.A. si riserva il diritto di apportare tutte le varianti migliorative ai prodotti in corso di vendita.
VORTICE S.p.A. reserves the right to make improvements to products at any time and without prior notice.
VORTICE S.p.A. se réserve le droit d'apporter toutes les variations afin d'améliorer ses produits en cours de commercialisation.
VORTICE S.p.A. behält sich vor, alle eventuellen Verbesserungsänderungen an den Produkten des Verkaufsangebots vorzunehmen.
VORTICE S.p.A. se reserva el derecho a hacer cambios en los productos para su mejora en cualquier momento sin previo aviso.
VORTICE S.p.A. 公司 股份有限公司 保留在产品销售期间进行产品改良的权利。

VORTICE GROUP COMPANIES

VORTICE S.P.A.

Strada Cerca, 2 - Frazione di Zoate
20067 - Tribiano (Milan)
Italy
Tel. (+39) 02 906991
vortice.com
postvendita@vortice-italy.com

BUSINESS UNIT INDUSTRIAL

Via B. Brugnoli, 3
37063 - Isola della Scala
(Verona) Italy
Tel. (+39) 045 6631042
vorticeindustrial.com
info@vorticeindustrial.com

VORTICE LIMITED

Beeches House, Eastern Avenue
Burton on Trent, DE13 0BB
United Kingdom
Tel. (+44) (0)1283 492949
vortice.ltd.uk
sales@vortice.ltd.uk

CASALS VENTILACIÓN AIR INDUSTRIAL S.L.

Ctra. Camprodon, s/n 17860
Sant Joan de les Abadesses
(Girona) Spain
casals.com
Tel. (+34) 972720150
ventilacion@casals.com

VORTICE LATAM S.A.

Bodega #6
Zona Franca Bes Alajuela - Alajuela 20101
Costa Rica
Tel. (+506) 2201.6934
vortice-latam.com
info@vortice-latam.com

VORTICE VENTILATION SYSTEM

(Changzhou) Co. LTD
No. 388 West Haunghe Road
Building 19, Changzhou, Post Code: 213000 China
Tel. (+86) 0519 88990150
vortice-china.com
vortice@vortice-china.com